



Side channel blower 410 series

The standard VACOM® design, with housing an impeller made of aluminum alloy, is a direct drive configuration, with a dynamically balanced impeller, fitted directly on the motor shaft. The impeller rotates inside of the stator housing with a very small clearance. The absence of lubricants guarantees a 100% oil free vacuum or compression. Construction features of the VACOM® side channel blower are the very reliable operation and low maintenance. VACOM® blowers are directly driven, impellers fixed directly on the drive shaft. Impeller bearing is installed in the front cover and easily to assemble and disassemble. Machines are small and lightweight. VACOM® blowers are already available with differential pressures up to 700 mbar and capacities of 2000 m³/ hr.



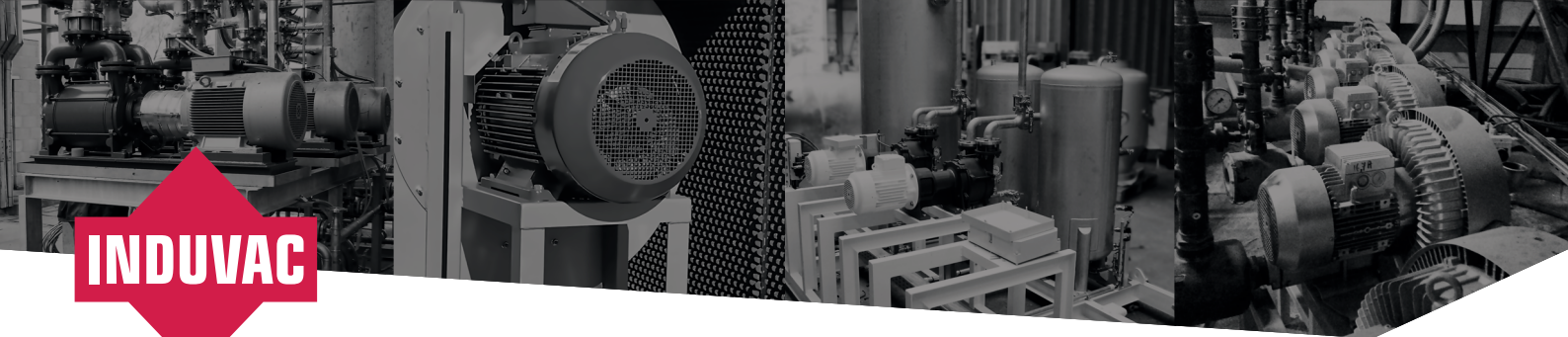
Features

- ♦ Available from stock
- ♦ Almost free of maintenance
- ♦ Low power consumption
- ♦ Oil free compression, no oil in the medium
- ♦ Made of aluminum, so low weight and high corrosion resistance.

Accessories

- ♦ Suction filter TGF (for vacuum)
- ♦ Suction filter VCFT (for compression)
- ♦ Pressure relief valve DB
- ♦ External silencer EGD
- ♦ Fittings
- ♦ Various: change valve, pressure gauge, non return valve

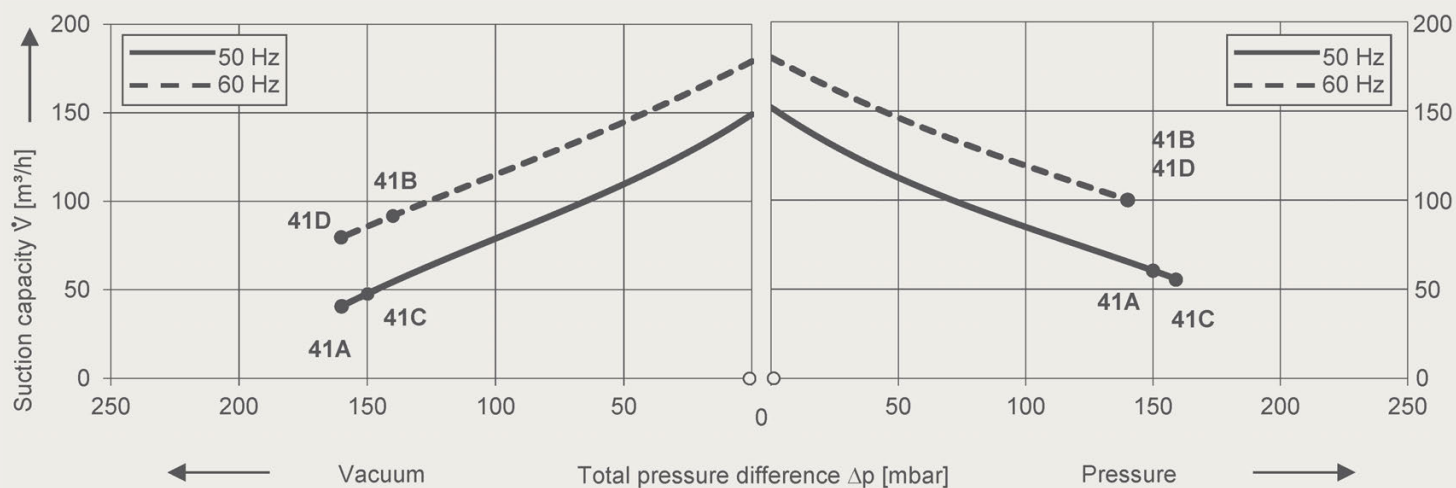




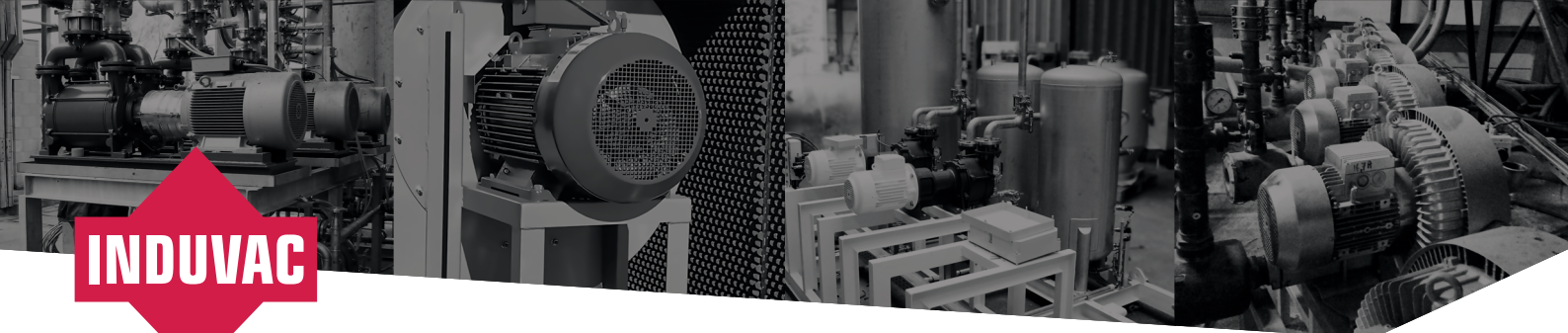
Technical data

Type No.	Curve No.	Freq. Hz	Power kW	Voltage		Current		Capacity m ³ /hr	Pressure difference		Sound level dB(A)	Connec- tion "G	Weight kg	
				V		A			Vacuum mbar	Pressure mbar				
VC 307-410	41A	50	0,86	220-240 Δ	380-420 Y	3,30 Δ	1,90 Y	145	-160	150	63	1,5	19	
	41B	60	0,99	265-290 Δ	460-500 Y	3,20 Δ	1,85 Y	175	-140	140	64	1,5	19	
		50	0,75	IE3	230 Δ	400 Y	2,94 Δ	1,71 Y						
		60	0,86	IE3	Δ	480 Y		1,67 Y						
VC 108-410	41C	50	0,80	230		5,20		145	-150	160	63	1,5	26	
	41D	60	0,90	230		5,80		175	-160	140	64	1,5	26	

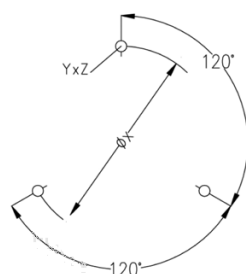
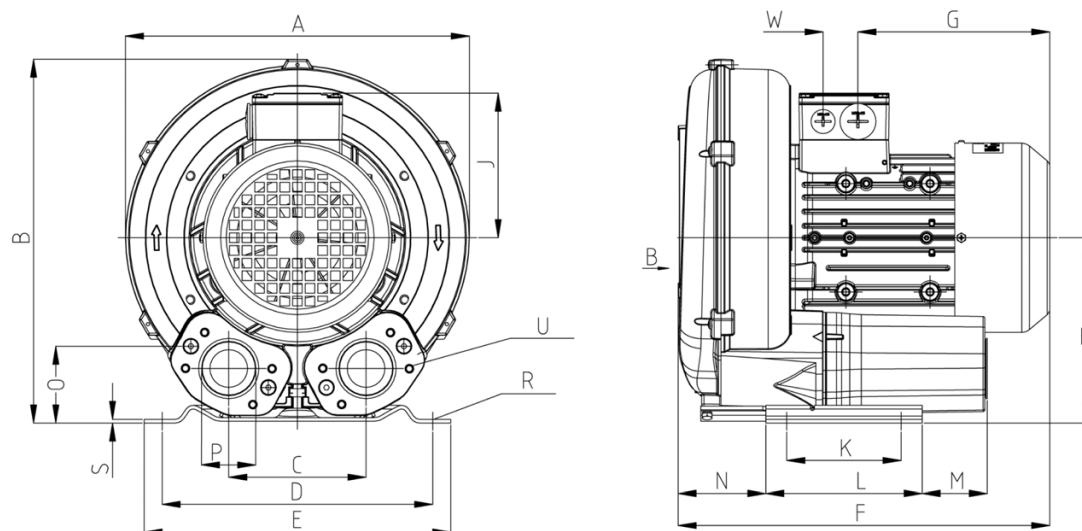
Curves



Curves are valid for dry air, with a temperature of 15°C at the inlet and a pressure of 1013 mbar(a) at the inlet or outlet connection (for over- or under-pressure application respectively). The tolerance on capacity is +/- 10%. No rights can be derived from the sketches, dimensions and contents of this data sheet. The data is for information purposes only. Induvac reserves the right to change or modify the data. No complaints can be made about this.



Dimensions



Curve No.	Type	A	B	C	D	E	F	G	H	J	K	L
41A / 41B	VC 307-410	286	302	115	225	255	294	160	154	120	95	130
41C / 41D	VC 108-410	286	302	115	225	255	292	160	154	120	95	130
Curve No.	Type	M	N	O	P	Q	Ø R	S	U	V	V'	Ø X
41A / 41B	VC 307-410	70	75	46	G 1 1/2"	72	12	3	M6x19	M16x1,5	M25x1,5	174
41C / 41D	VC 108-410	70	75	46	G 1 1/2"	72	12	3	M6x19	M16x1,5	M25x1,5	174