



Side channel blower 510 series

The standard VACOM® design, with housing an impeller made of aluminum alloy, is a direct drive configuration, with a dynamically balanced impeller, fitted directly on the motor shaft. The impeller rotates inside of the stator housing with a very small clearance. The absence of lubricants guarantees a 100% oil free vacuum or compression. Construction features of the VACOM® side channel blower are the very reliable operation and low maintenance. VACOM® blowers are directly driven, impellers fixed directly on the drive shaft. Impeller bearing is installed in the front cover and easily to assemble and disassemble. Machines are small and lightweight. VACOM® blowers are already available with differential pressures up to 700 mbar and capacities of 2000 m³/ hr.



Features

- ◆ Available from stock
- ◆ Almost free of maintenance
- ◆ Low power consumption
- ◆ Oil free compression, no oil in the medium
- ◆ Made of aluminum, so low weight and high corrosion resistance.

Accessories

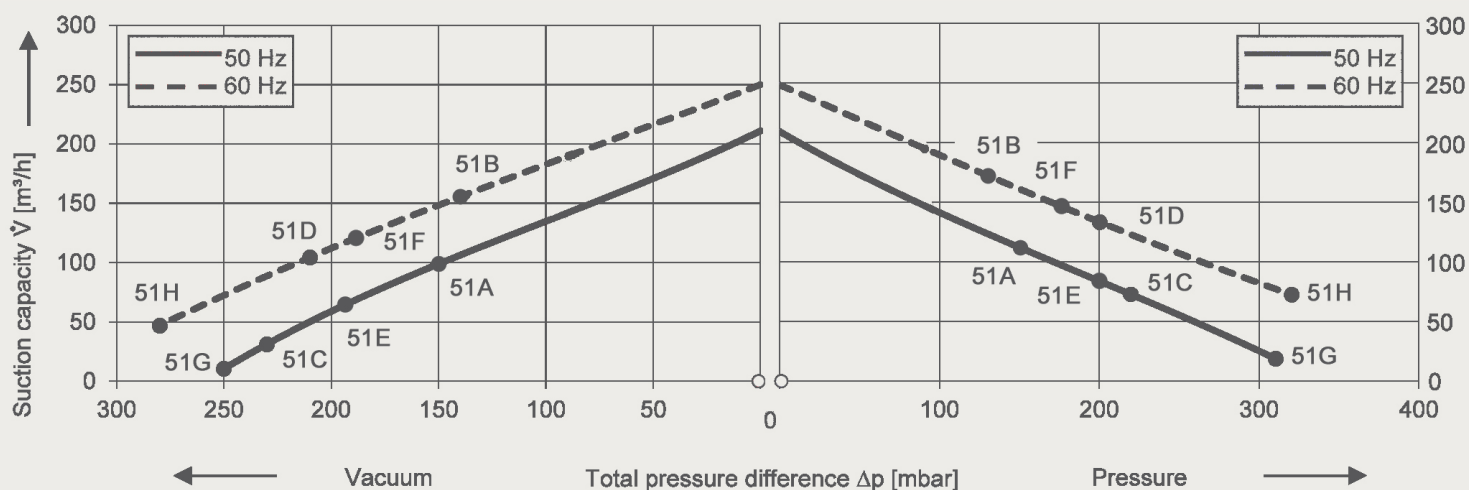
- ◆ Suction filter TGF (for vacuum)
- ◆ Suction filter VCFT (for compression)
- ◆ Pressure relief valve DB
- ◆ External silencer EGD
- ◆ Fittings
- ◆ Various: change valve, pressure gauge, non return valve



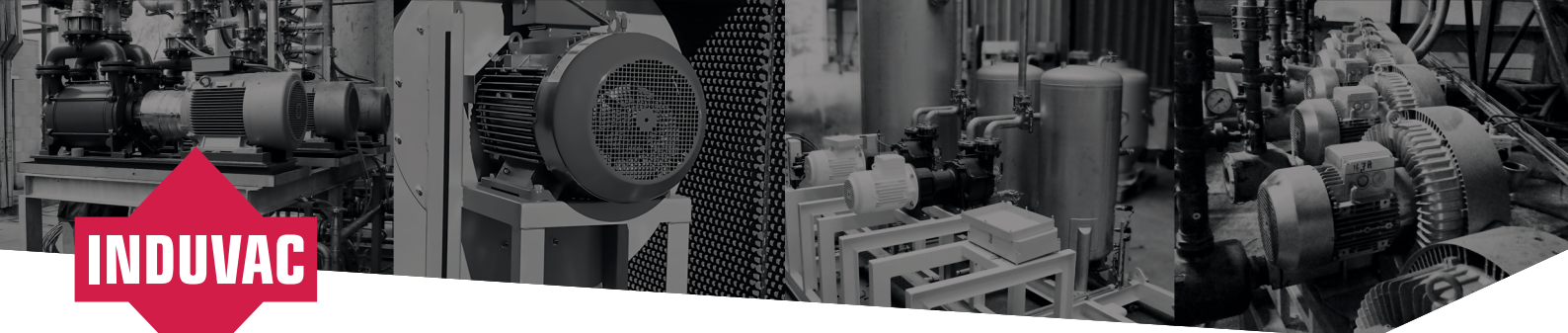
Technical data

Type No.	Curve No.	Freq. Hz	Power kW	Voltage		Current A	Capacity m ³ /hr	Pressure difference		Sound level dB(A)	Conne- tion "G	Weight kg
				V				Vacuum mbar	Pressure mbar			
VC 311-510	51A	50	1,30	220-240 Δ	380-420 Y	4,70 Δ 2,70 Y	210	-150	150	64	2	22
	51B	60	1,50	265-290 Δ	460-520 Y	4,60 Δ 2,65 Y	255	-140	130	70	2	22
		50	1,10 IE3	230 Δ	400 Y	2,31 Δ 4,00 Y						
		60	1,30 IE3	Δ	480 Y	Δ 2,34 Y						
VC 315-510	51C	50	1,75	220-240 Δ	380-420 Y	6,00 Δ 3,45 Y	210	-230	220	64	2	23
	51D	60	2,00	265-290 Δ	460-520 Y	5,90 Δ 3,40 Y	255	-210	200	70	2	23
		50	1,50 IE3	230 Δ	400 Y	5,20 Δ 3,00 Y						
		60	1,75 IE3	Δ	480 Y	2,90 Y						
VC-115-510	51E	50	1,50	230		10,40	210	-190	200	64	2	23
	51F	60	1,75	230		11,20	255	-180	180	70	2	23
VC 322-510	51G	50	2,55	220-240 Δ	380-420 Y	8,60 Δ 5,00 Y	210	-250	310	64	2	25
	51H	60	3,00	265-290 Δ	460-520 Y	8,50 Δ 4,90 Y	255	-280	320	70	2	25
		50	2,20 IE3	230 Δ	400 Y	7,53 Δ 4,35 Y						
		60	2,55 IE3	Δ	460 Y	4,17 Y						

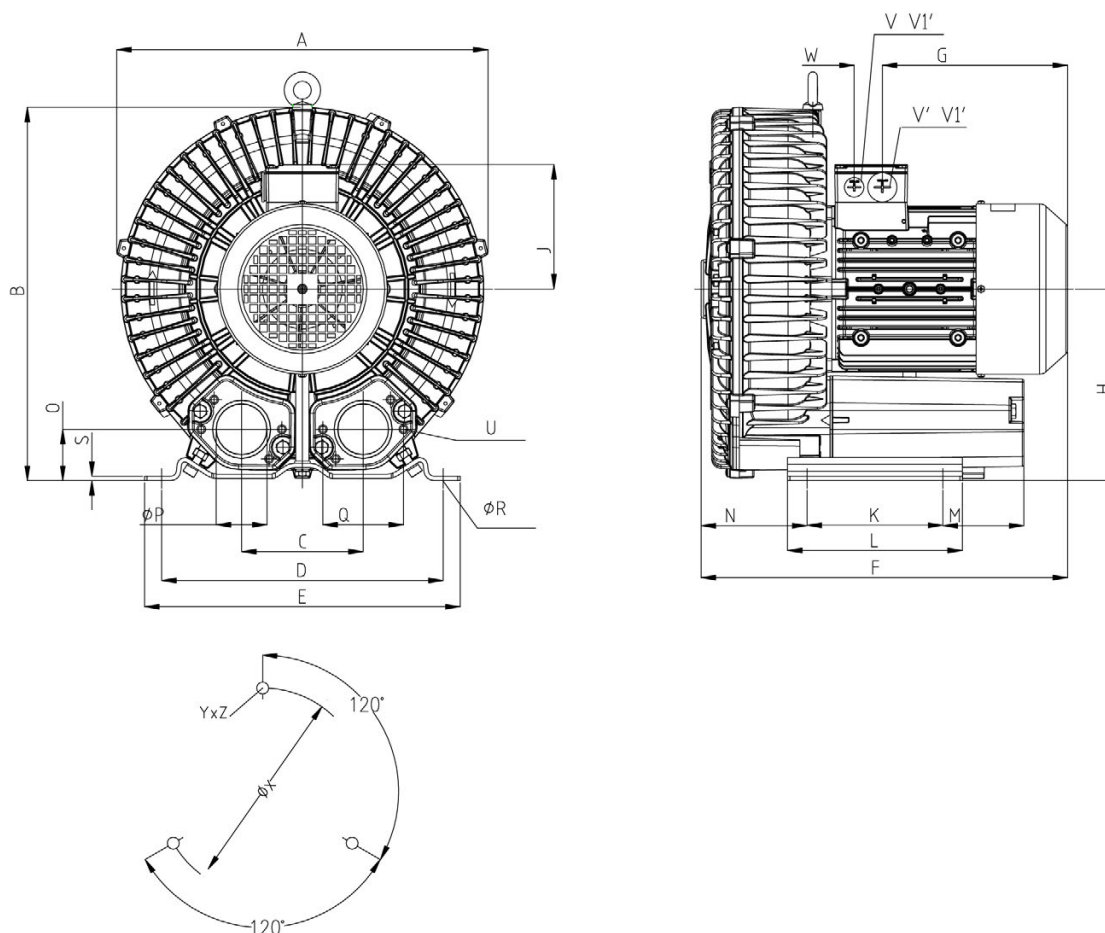
Curves



Curves are valid for dry air, with a temperature of 15°C at the inlet and a pressure of 1013 m bar(a) at the inlet or outlet connection (for over- or under-pressure application respectively). The tolerance on capacity is +/- 10%. No rights can be derived from the sketches, dimensions and contents of this data sheet. The data is for information purposes only. Induvac reserves the right to change or modify the data. No complaints can be made about this.



Dimensions



Curve No.	Type	A	B	C	D	E	F	G	H	J	K	L	M	N
51A / 51B	VC 311-510	334	337	120	260	295	314	160	175	120	115	155	96	87
51C / 51D	VC 315-510	334	337	120	260	295	346	191	175	128	115	155	96	87
51E / 51F	VC 115-510	334	337	120	260	295	345	160	175	128	115	155	96	87
51G / 51H	VC 322-510	334	337	120	260	295	346	191	175	128	115	155	96	87
Curve No.	Type	O	P	Q	Ø	RS	U	V	V'	V1	V1'	YxZ	X-holes	ØX
51A / 51B	VC 311-510	48	G2"	83	14	4	M8 X 17	M16 X 1.5	M25 X 1.5	M25 X 1.5	M16 X 1.5	M8 x 20	0°/120°/240°	Ø200
51C / 51D	VC 315-510	48	G2"	83	14	4	M8 X 17	M16 X 1.5	M25 X 1.5	M25 X 1.5	M16 X 1.5	M8 x 20	0°/120°/240°	Ø200
51E / 51F	VC 115-510	48	G2"	83	14	4	M8 X 17	M16 X 1.5	M25 X 1.5	M25 X 1.5	M16 X 1.5	M8 x 20	0°/120°/240°	Ø200
51G / 51H	VC 322-510	48	G2"	83	14	4	M8 X 17	M16 X 1.5	M25 X 1.5	M25 X 1.5	M16 X 1.5	M8 x 20	0°/120°/240°	Ø200