



Side channel blower 520 series

The standard VACOM® design, with housing an impeller made of aluminum alloy, is a direct drive configuration, with a dynamically balanced impeller, fitted directly on the motor shaft. The impeller rotates inside of the stator housing with a very small clearance. The absence of lubricants guarantees a 100% oil free vacuum or compression. Construction features of the VACOM® side channel blower are the very reliable operation and low maintenance. VACOM® blowers are directly driven, impellers fixed directly on the drive shaft. Impeller bearing is installed in the front cover and easily to assemble and disassemble. Machines are small and lightweight. VACOM® blowers are already available with differential pressures up to 700 mbar and capacities of 2000 m³/ hr.



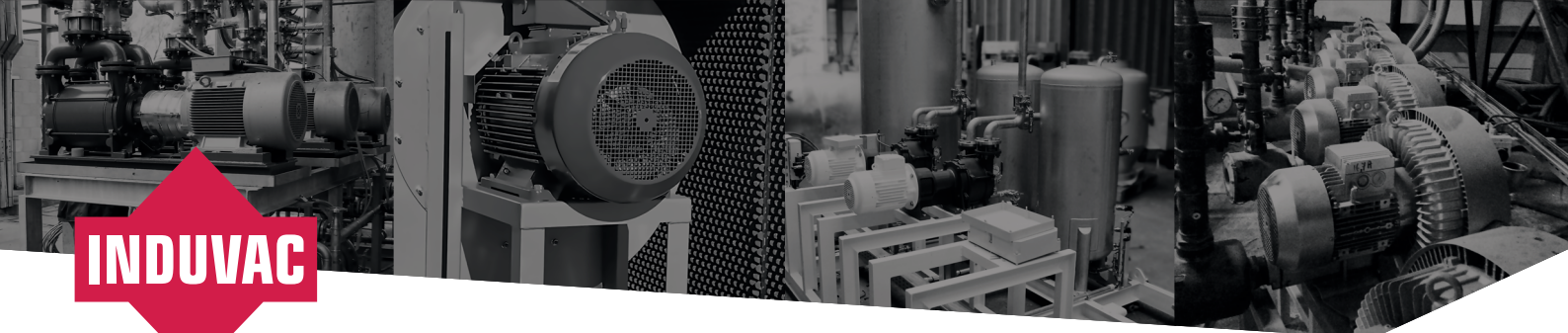
Features

- ◆ Available from stock
- ◆ Almost free of maintenance
- ◆ Low power consumption
- ◆ Oil free compression, no oil in the medium
- ◆ Made of aluminum, so low weight and high corrosion resistance.

Accessories

- ◆ Suction filter TGF (for vacuum)
- ◆ Suction filter VCFT (for compression)
- ◆ Pressure relief valve DB
- ◆ External silencer EGD
- ◆ Fittings
- ◆ Various: change valve, pressure gauge, non return valve

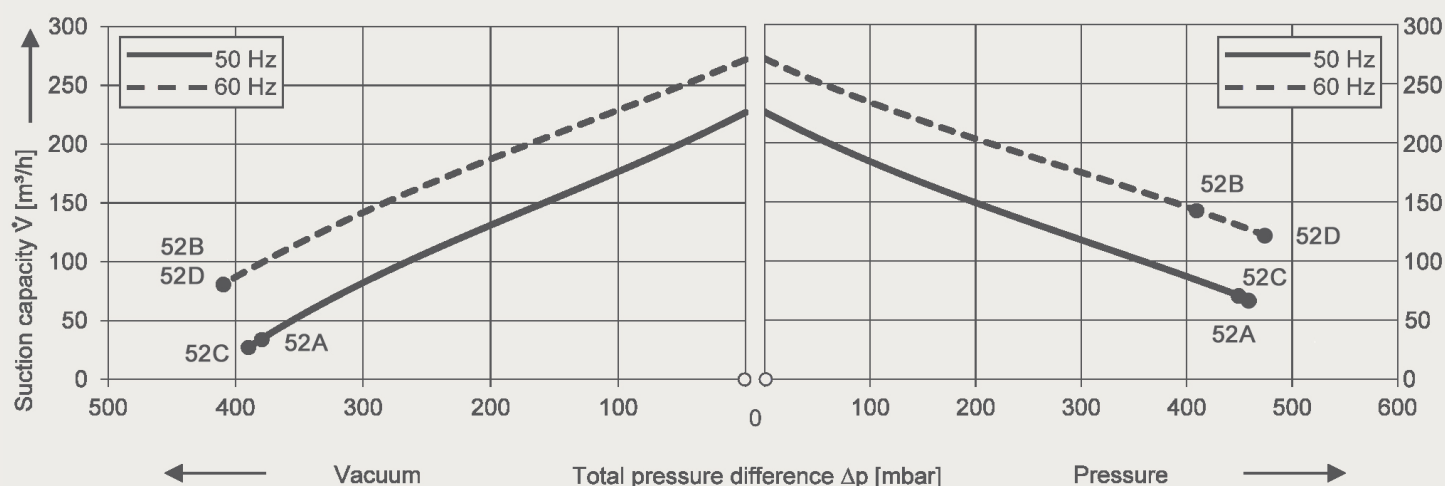




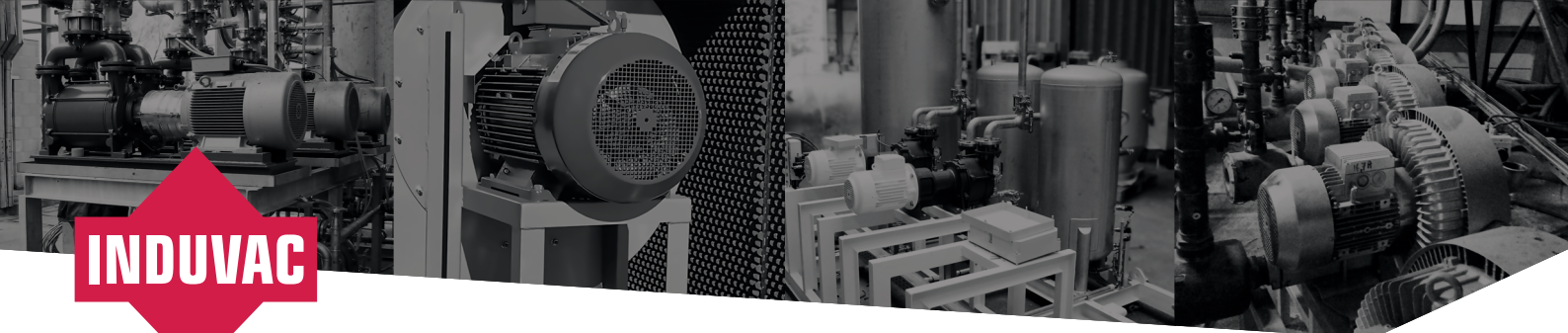
Technical data

Type No.	Curve No.	Freq. Hz	Power kW	Voltage		Current		Capacity m ³ /hr	Pressure difference		Sound level dB(A)	Connec- tion "G	Weight kg		
				V		A			Vacuum mbar	Pressure mbar					
VC 330-520	52A	50	3,45	220-240	Δ 380-420	Y	11,60	Δ 6,70	Y	230	-380	450	72	2	53
	52B	60	4,00	265-290	Δ 460-520	Y	11,20	Δ 6,50	Y	275	-410	410	74	2	53
		50	3,00	IE3	230	Δ 400	Y	9,90	Δ 5,70	Y					
		60	3,46	IE3		Δ 460	Y		5,40	Y					
VC 340-520	52C	50	4,00	345-415	Δ 600-720	Y	10,00	Δ 5,80	Y	230	-390	440	72	2	63
	52D	60	4,60	380-480	Δ 600-720	Y	9,90	Δ 5,71	Y	275	-410	480	74	2	63

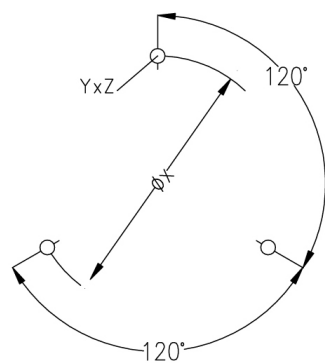
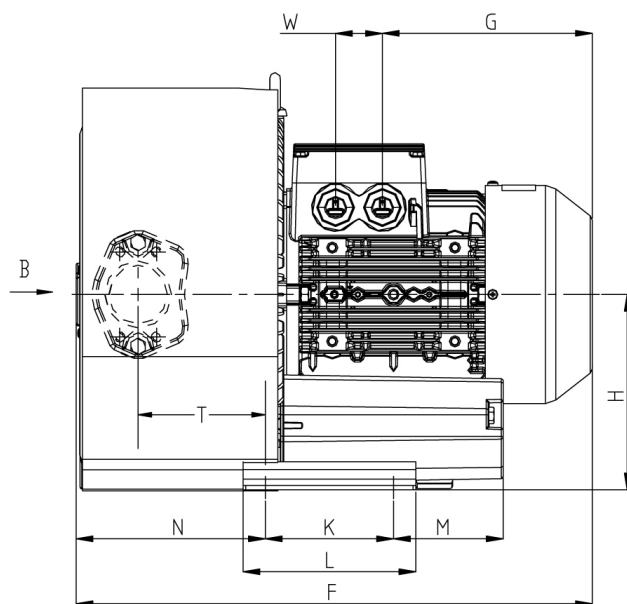
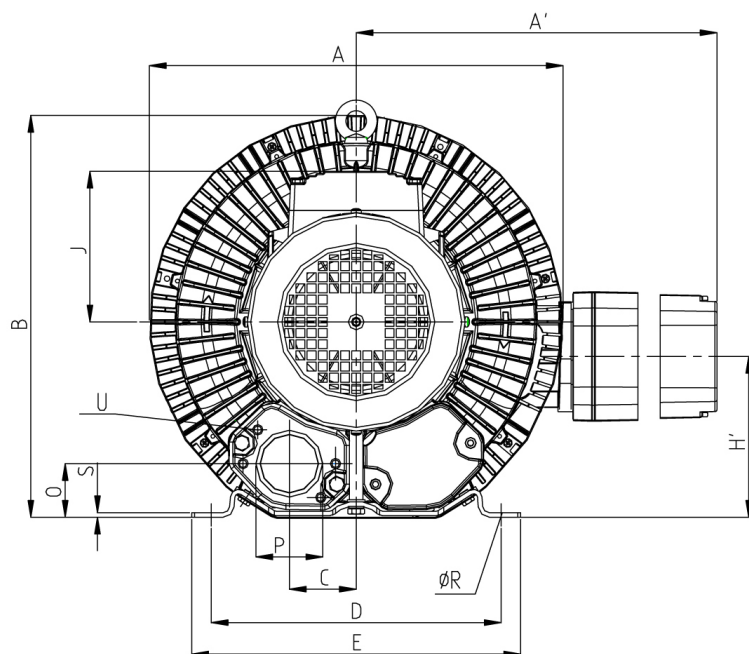
Curves



Curves are valid for dry air, with a temperature of 15°C at the inlet and a pressure of 1013 m bar(a) at the inlet or outlet connection (for over- or under-pressure application respectively). The tolerance on capacity is +/- 10%. No rights can be derived from the sketches, dimensions and contents of this data sheet. The data is for information purposes only. Induvac reserves the right to change or modify the data. No complaints can be made about this.



Dimensions



Curve No.	Type	A	A'	B	C	D	E	F	G	H	H'	J	K	L	M	N
52A / 52B	VC 330-520	372	411	371	60	260	295	465	190	175	144	135	115	155	98	171
52C / 52D	VC 340-520	372	411	371	60	260	295	499	224	175	144	135	115	155	98	171
Curve No.	Type	O	ØP	Q	ØR	S	T	U	V	V'	V1	V1	ØX	YxZ	X-holes	W
52A / 52B	VC 330-520	48	2"	83	14	4	116	M8 x 17	M32 x 1.5	M32 x 1.5	M32 x 1.5	M32 x 1.5	200	M8 x 20	51.5°/171.5°/291.5°	42
52C / 52D	VC 340-520	48	2"	83	14	4	116	M8 x 17	M32 x 1.5	M32 x 1.5	M32 x 1.5	M32 x 1.5	200	M8 x 20	51.5°/171.5°/291.5°	42