



Side channel blower 710 series

The standard VACOM® design, with housing an impeller made of aluminum alloy, is a direct drive configuration, with a dynamically balanced impeller, fitted directly on the motor shaft. The impeller rotates inside of the stator housing with a very small clearance. The absence of lubricants guarantees a 100% oil free vacuum or compression. Construction features of the VACOM® side channel blower are the very reliable operation and low maintenance. VACOM® blowers are directly driven, impellers fixed directly on the drive shaft. Impeller bearing is installed in the front cover and easily to assemble and disassemble. Machines are small and lightweight. VACOM® blowers are already available with differential pressures up to 700 mbar and capacities of 2000 m³/ hr.



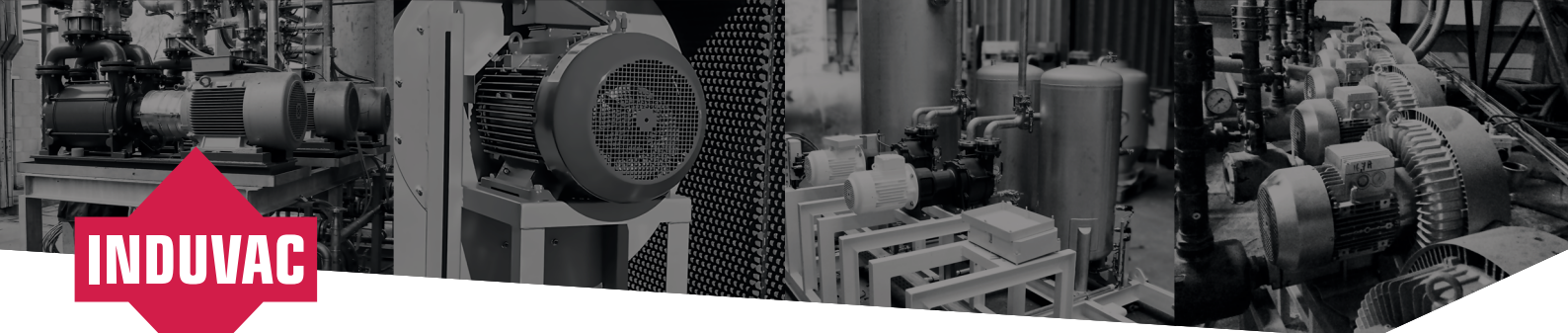
Features

- ♦ Available from stock
- ♦ Almost free of maintenance
- ♦ Low power consumption
- ♦ Oil free compression, no oil in the medium
- ♦ Made of aluminum, so low weight and high corrosion resistance.

Accessories

- ♦ Suction filter TGF (for vacuum)
- ♦ Suction filter VCFT (for compression)
- ♦ Pressure relief valve DB
- ♦ External silencer EGD
- ♦ Fittings
- ♦ Various: change valve, pressure gauge, non return valve

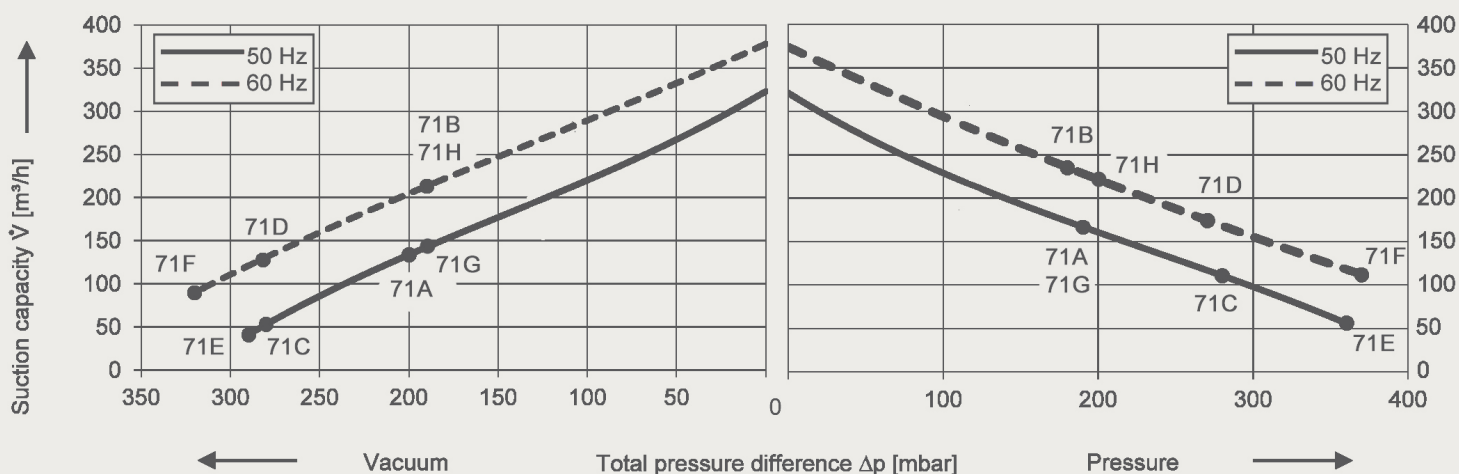




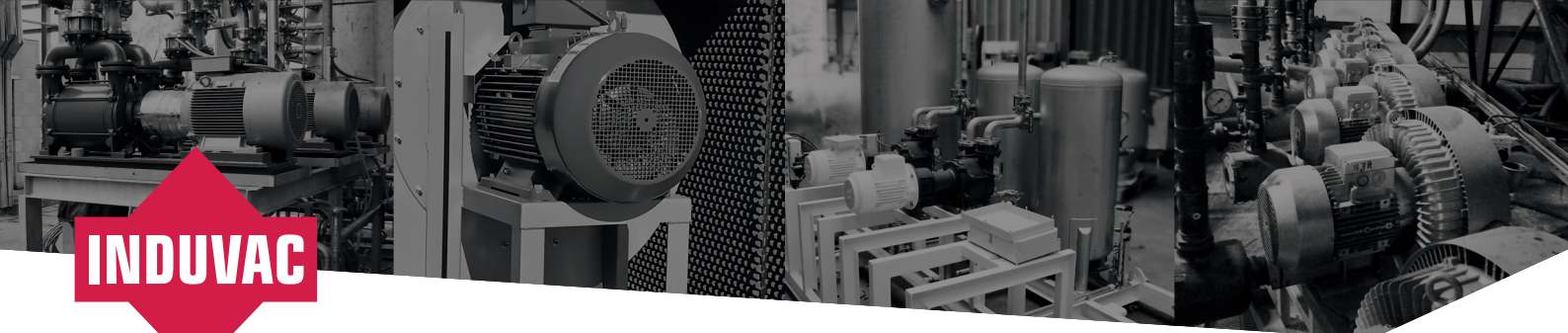
Technical data

Type No.	Curve No.	Freq. Hz	Power kW	Voltage		Current			Capacity m ³ /hr	Pressure difference		Sound level dB(A)	Conne- ction "G	Weight kg
				V		A				Vacuum mbar	Pressure mbar			
VC 322-710	71A	50	2,55	220-240 Δ	380-420 Y	8,60 Δ	5,00 Y	318	-200	190	69	2	34	
	71B	60	3,00	265-290 Δ	460-520 Y	8,50 Δ	4,90 Y	376	-190	180	72	2	34	
		50	2,20 IE3	230 Δ	400 Y	5,20 Δ	3,00 Y							
VC 122-710	71G	50	2,20	230				318	-190	190	72	2	34	
		60	2,55 IE3		480 Y		2,90 Y							
	71H	60	2,55	230			12,80	376	-190	200	74	2	34	
VC 330-710	71C	50	3,45	220-240 Δ	380-420 Y	11,60 Δ	6,70 Y	318	-280	280	69	2	40	
	71D	60	4,00	265-290 Δ	460-520 Y	11,20 Δ	6,50 Y	376	-280	270	72	2	40	
		50	3,00 IE3	230 Δ	400 Y	9,90 Δ	5,70 Y							
	60	3,46 IE3		460 Y		5,40 Y								
VC 340-710	71E	50	4,60	380-420 Δ	660-725 Y	8,60 Δ	5,00 Y	318	-290	350	69	2	47	
	71F	60	5,30	460-520 Δ	790-870 Y	8,40 Δ	4,80 Y	376	-330	360	72	2	47	
		50	4,00 IE3	400 Δ	690 Y	7,53 Δ	4,35 Y							
	60	4,60 IE3	480 Δ			7,40 Δ								

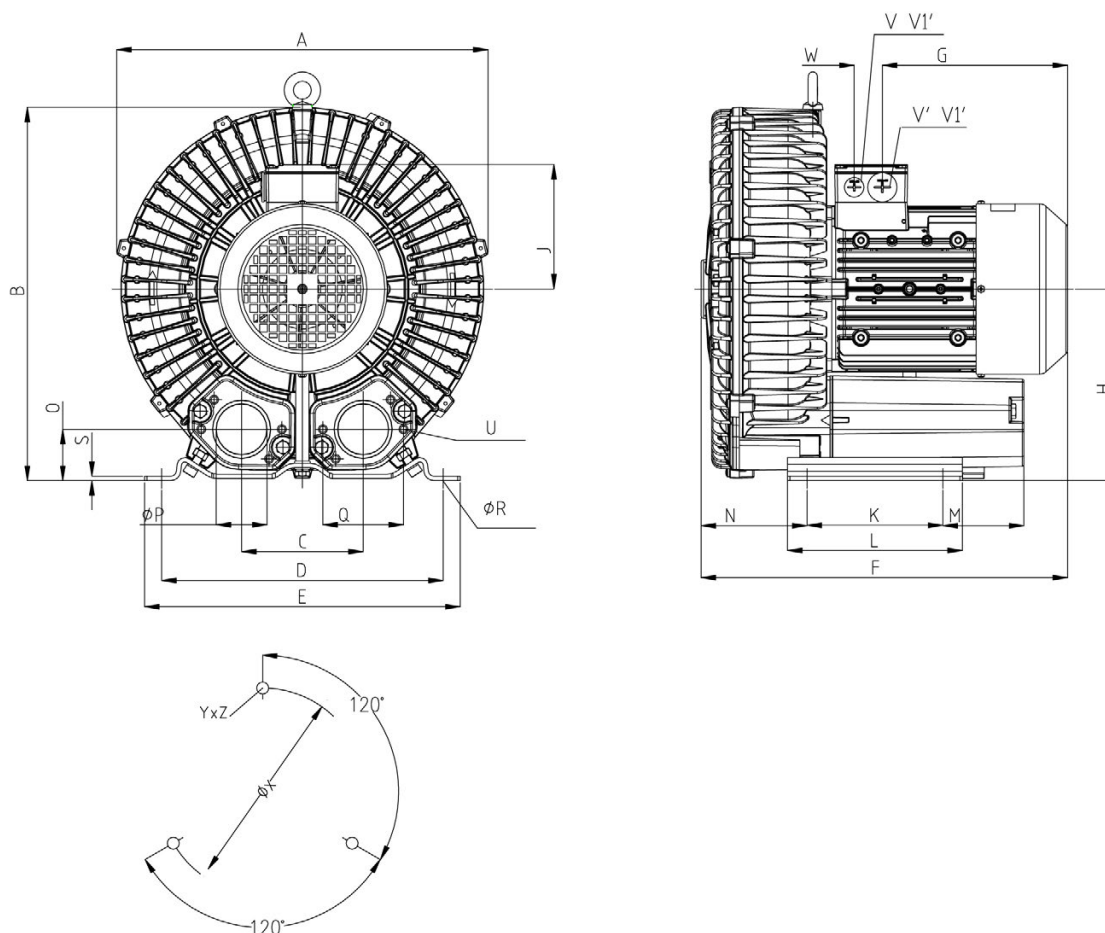
Curves



Curves are valid for dry air, with a temperature of 15°C at the inlet and a pressure of 1013 m bar(a) at the inlet or outlet connection (for over- or under-pressure application respectively). The tolerance on capacity is +/- 10%. No rights can be derived from the sketches, dimensions and contents of this data sheet. The data is for information purposes only. Induvac reserves the right to change or modify the data. No complaints can be made about this.



Dimensions



Curve No.	Type	A	B	C	D	E	F	G	H	J	K	L	M	N
71A / 71B	VC 322-710	382	384	125	290	325	377	191	197	128	140	180	84	109
71C / 71D	VC 330-710	382	384	125	290	325	409	188	197	135	140	180	84	109
71E / 71F	VC 340-710	382	384	125	290	325	432	209	197	148	140	180	84	109
71G / 71H	VC 122-710	382	384	125	290	325	377	191	197	128	140	180	84	109
Curve No.	Type	D	P	Q	ØR	S	U	V	V'	V1	V1'	YxZ	X-holes	ØX
71A / 71B	VC 322-710	54	G2"	83	15	4.5	M8 X 17	M25 X 1.5	M16 X 1.5			M10 x20	0°/120°/240°	Ø240
71C / 71D	VC 330-710	54	G2"	83	15	4.5	M8 X 17	M32 X 1.5	M32 X 1.5	M32 X 1.5	M32 X 1.5	M10 x20	0°/120°/240°	Ø240
71E / 71F	VC 340-710	54	G2"	83	15	4.5	M8 X 17	M32 X 1.5	M32 X 1.5	M32 X 1.5	M32 X 1.5	M10 x20	0°/120°/240°	Ø240
71G / 71H	VC 122-710	54	G2"	83	15	4.5	M8 X 17	M25 X 1.5	M16 X 1.5			M10 x20	0°/120°/240°	Ø240