



Side channel blower 720 series

The standard VACOM® design, with housing an impeller made of aluminum alloy, is a direct drive configuration, with a dynamically balanced impeller, fitted directly on the motor shaft. The impeller rotates inside of the stator housing with a very small clearance. The absence of lubricants guarantees a 100% oil free vacuum or compression. Construction features of the VACOM® side channel blower are the very reliable operation and low maintenance. VACOM® blowers are directly driven, impellers fixed directly on the drive shaft. Impeller bearing is installed in the front cover and easily to assemble and disassemble. Machines are small and lightweight. VACOM® blowers are already available with differential pressures up to 700 mbar and capacities of 2000 m³/ hr.



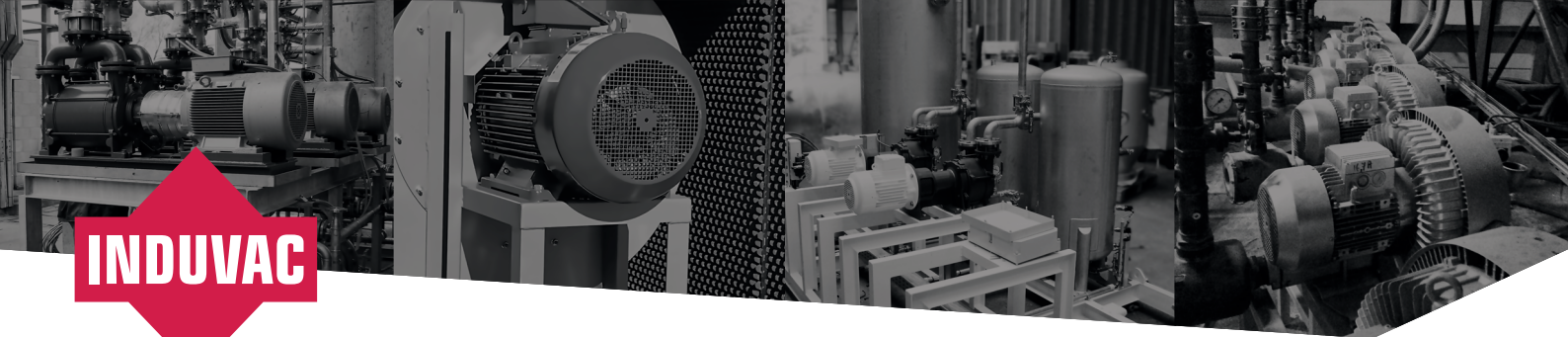
Features

- ♦ Available from stock
- ♦ Almost free of maintenance
- ♦ Low power consumption
- ♦ Oil free compression, no oil in the medium
- ♦ Made of aluminum, so low weight and high corrosion resistance.

Accessories

- ♦ Suction filter TGF (for vacuum)
- ♦ Suction filter VCFT (for compression)
- ♦ Pressure relief valve DB
- ♦ External silencer EGD
- ♦ Fittings
- ♦ Various: change valve, pressure gauge, non return valve

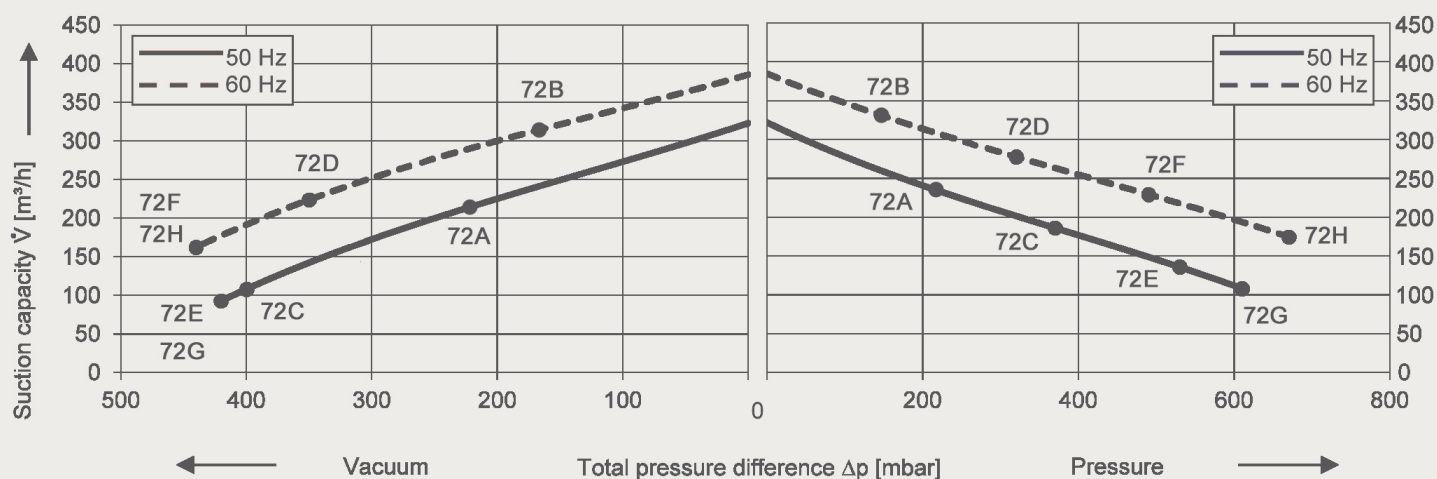




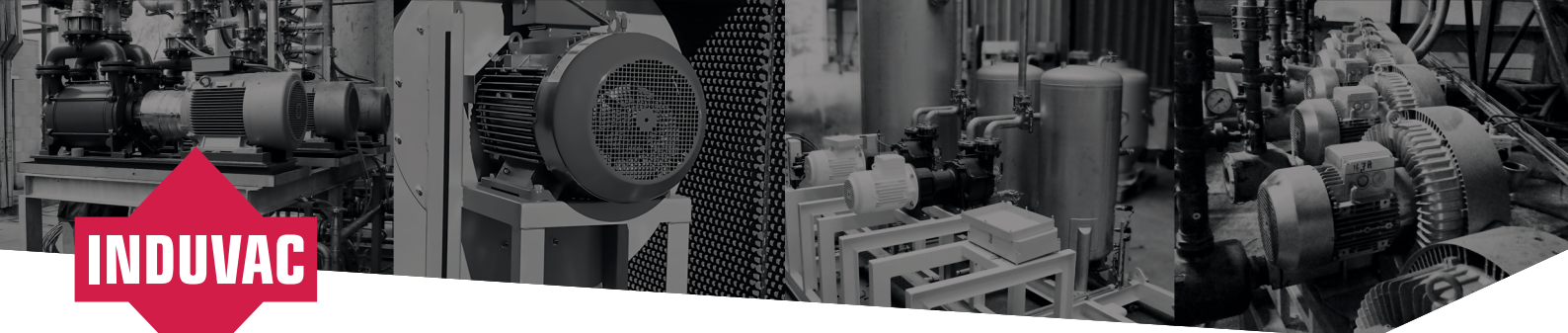
Technical data

Type No.	Curve No.	Freq. Hz	Power kW	Voltage		Current		Capacity m ³ /uur	Pressure difference		Sound-level dB(A)	Connec- tion "G	Weight kg
				V		A			Vacuum mbar	Pressure mbar			
VC 322-720	72A	50	2,20	200-240 Δ	345-415 Y	9,70 Δ	5,60 Y	320	-220	210	73	2	43
	72B	60	2,55	220-275 Δ	380-480 Y	10,30 Δ	6,00 Y	380	-170	150	76	2	43
VC 340-720	72C	50	4,60	380-420 Δ	660-725 Y	8,60 Δ	5,00 Y	320	-400	370	73	2	54
	72D	50	5,30	460-520 Δ	790-870 Y	8,40 Δ	4,80 Y	380	-350	320	76	2	54
		60	4,00	400 Δ	690 Y	7,45 Δ	4,30 Y						
		60	4,60	480 Δ	460 Y	7,40 Δ							
VC 355-720	72E	50	6,30	380-420 Δ	660-725 Y	11,80 Δ	6,80 Y	320	-420	530	73	2	66
	72F	60	7,30	660-725 Δ	790-870 Y	11,60 Δ	6,70 Y	380	-440	490	76	2	66
		50	5,50	400 Δ	690 Y	10,10 Δ	5,83 Y						
		60	6,30	480 Δ		9,60 Δ							
VC 375-720	72G	50	8,60	380-420 Δ	660-725 Y	15,50 Δ	8,90 Y	320	-420	610	73	2	73
	72H	60	9,90	460-520 Δ	790-870 Y	15,40 Δ	8,80 Y	380	-440	670	76	2	73
		50	7,50	400 Δ	690 Y	13,50 Δ	7,80 Y						
		60	8,60	480 Δ		12,90 Δ							

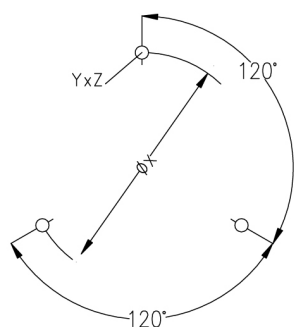
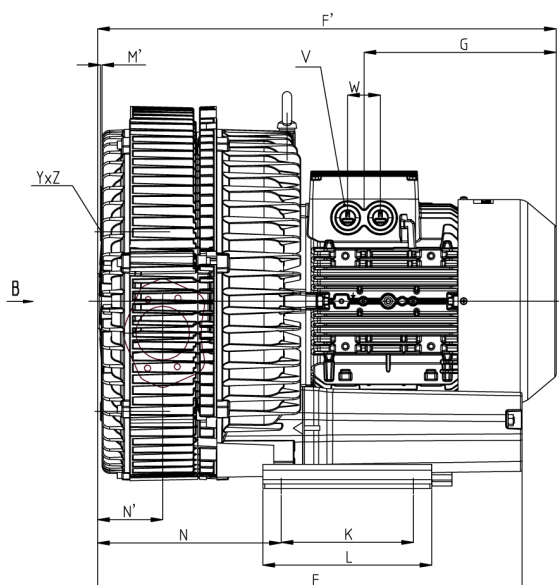
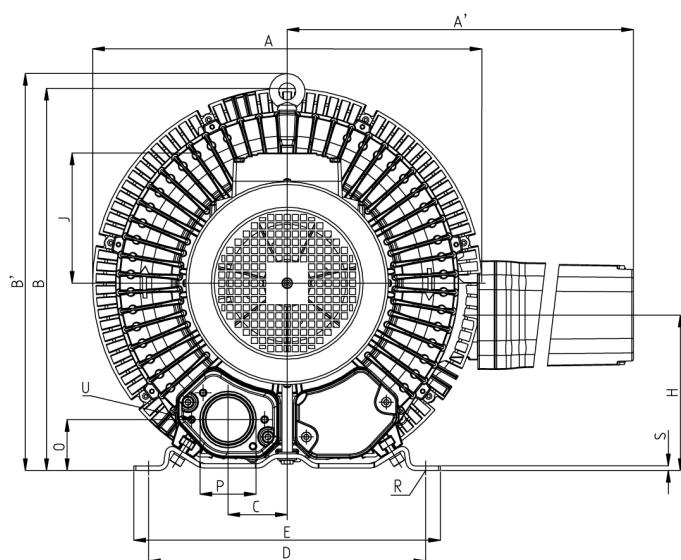
Curves



Curves are valid for dry air, with a temperature of 15°C at the inlet and a pressure of 1013 mbar(a) at the inlet or outlet connection (for over- or under-pressure application respectively). The tolerance on capacity is +/- 10%. No rights can be derived from the sketches, dimensions and contents of this data sheet. The data is for information purposes only. Induvac reserves the right to change or modify the data. No complaints can be made about this.

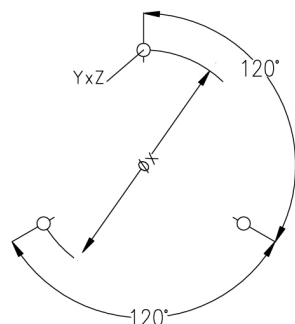
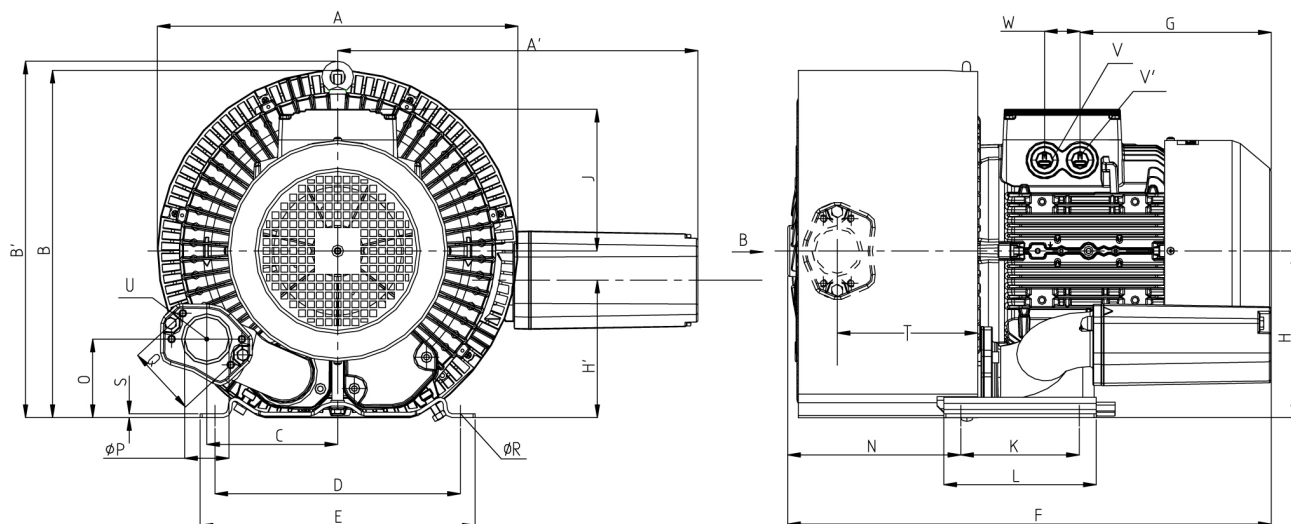


Dimensions



Curve No.	Type	A	A'	B	C	D	E	F	G	H	H'	J	K	L	M
72A / 72B	VC 322-720	426	426	410	63	290	325	473	191	197	162	128	140	180	84
72C / 72D	VC 340-720	426	426	410	63	290	325	526	209	197	162	148	140	180	84
Curve No.	Type	N	O	ØP	Q	ØR	T	ØR	S	V	W	ØX	YxZ	X-holes	W
72A / 72B	VC 340-720	205	53	2"	83	15	130	M8 X 17	M32 x 1.5	M32 x 1.5	M32 x 1.5	M32 x 1.5	240	51.5°/171.5°/291.5°	42
72C / 72D	VC 340-720	205	53	2"	83	15	130	M8 X 17	M32 x 1.5	M32 x 1.5	M32 x 1.5	M32 x 1.5	240	51.5°/171.5°/291.5°	42

INDUVAC



Curve No.	Type	A	A'	B	C	D	E	F	G	H	H'	J	K	L	M
72E / 72F	VC 355-720	426	426	410	154	290	325	571	226	197	162	167	140	180	200
72G / 72H	VC 375-720	426	426	410	154	290	325	571	226	197	162	167	140	180	200
Curve No.	Type	N	O	ØP	Q	ØR	S	T	U	V	V'	ØX	YxZ	X-Holes	W
72E / 72F	VC 355-720	205	94	2"	83	15	4.5	130	M8 x 17	M32 x 1.5	M32 x 1.5	240	M10 x 20	51.5°/171.5°/291.5°	42
72G / 72H	VC 375-720	205	91	2"	83	15	4.5	130	M8 x 17	M32 x 1.5	M32 x 1.5	240	M10 x 20	51.5°/171.5°/291.5°	42