



INDUVAC

Side channel blower 730 series

The standard VACOM® design, with housing an impeller made of aluminum alloy, is a direct drive configuration, with a dynamically balanced impeller, fitted directly on the motor shaft. The impeller rotates inside of the stator housing with a very small clearance. The absence of lubricants guarantees a 100% oil free vacuum or compression. Construction features of the VACOM® side channel blower are the very reliable operation and low maintenance. VACOM® blowers are directly driven, impellers fixed directly on the drive shaft. Impeller bearing is installed in the front cover and easily to assemble and disassemble. Machines are small and lightweight. VACOM® blowers are already available with differential pressures up to 700 mbar and capacities of 2000 m³/ hr.



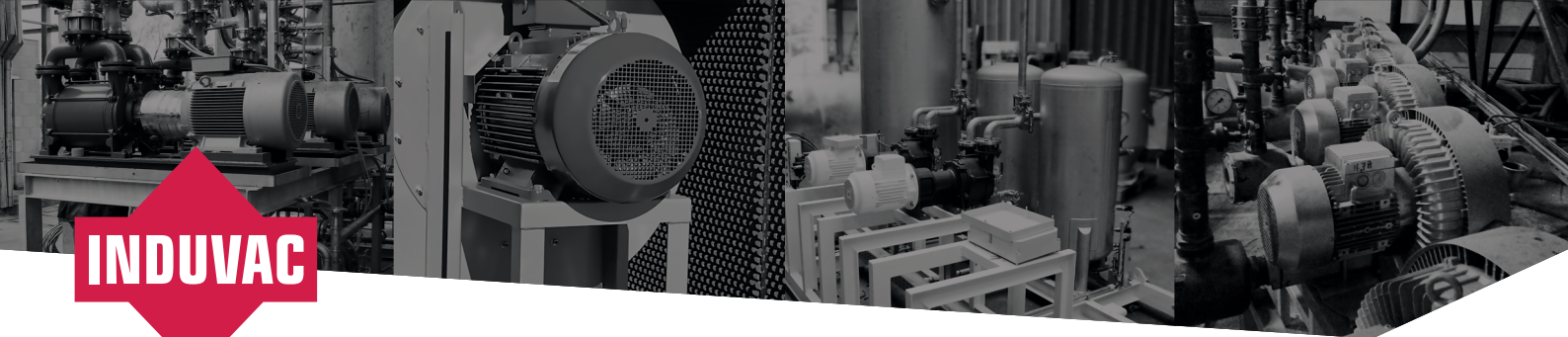
Features

- ♦ Available from stock
- ♦ Almost free of maintenance
- ♦ Low power consumption
- ♦ Oil free compression, no oil in the medium
- ♦ Made of aluminum, so low weight and high corrosion resistance.

Accessories

- ♦ Suction filter TGF (for vacuum)
- ♦ Suction filter VCFT (for compression)
- ♦ Pressure relief valve DB
- ♦ External silencer EGD
- ♦ Fittings
- ♦ Various: change valve, pressure gauge, non return valve

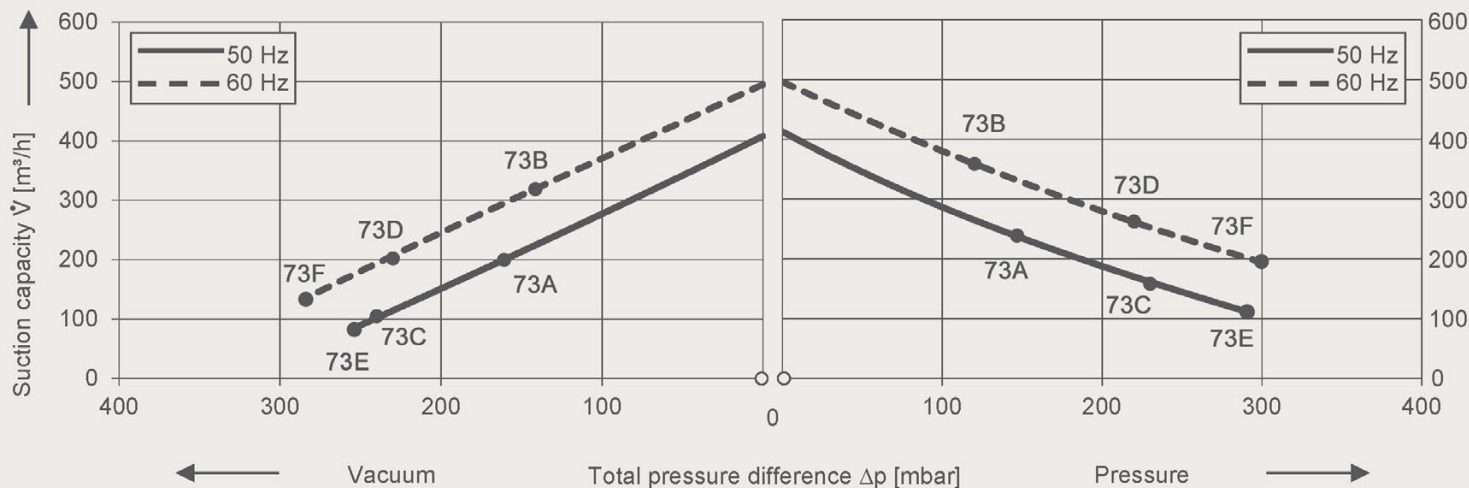




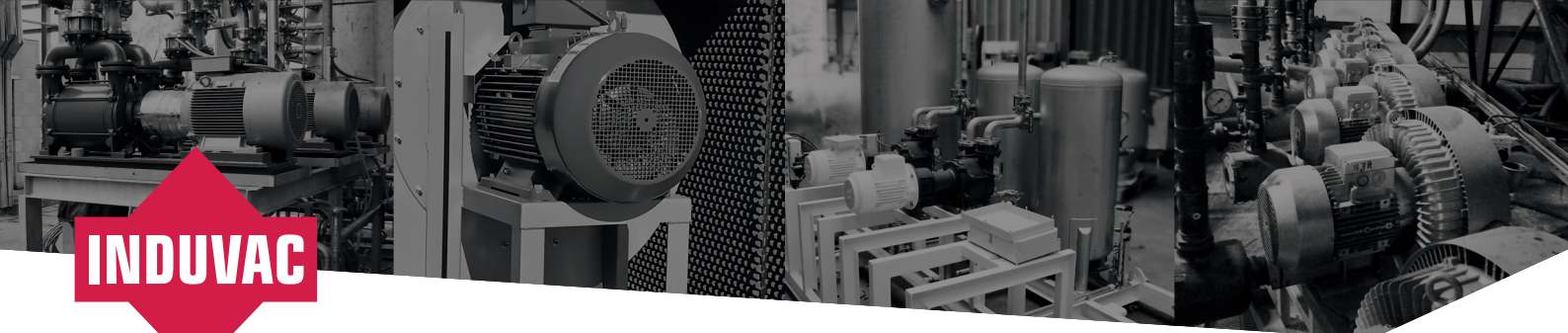
Technical data

Type No.	Curve No.	Freq. Hz	Power kW	Voltage		Current		Capacity m ³ /hr	Pressure difference		Sound level dB(A)	Conne- ction "G	Weight kg
				V		A			Vacuum mbar	Pressure mbar			
VC 330-730	73A	50	3,45	220-240 Δ	380-420 Y	11,60 Δ	6,70 Y	420	-240	230	69	2	43
	74B	60	4,00	265-290 Δ	460-520 Y	11,20 Δ	6,50 Y	500	-230	220	72	2	43
		50	3,00 IE3	230 Δ	400 Y	9,90 Δ	5,70 Y						
		60	3,46 IE3	Δ	460 Y	Δ	5,40 Y						
VC 340-730	74C	50	4,60	380-420 Δ	460-520 Y	8,60 Δ	5,00 Y	420	-260	290	69	2	50
	74D	60	5,30	660-725 Δ	790-870 Y	8,40 Δ	4,80 Y	500	-280	300	72	2	50
		50	4,00 IE3	400 Δ	690 Y	7,53 Δ	4,35 Y						
		60	4,60 IE3	480 Δ	Y	7,40 Δ	Y						

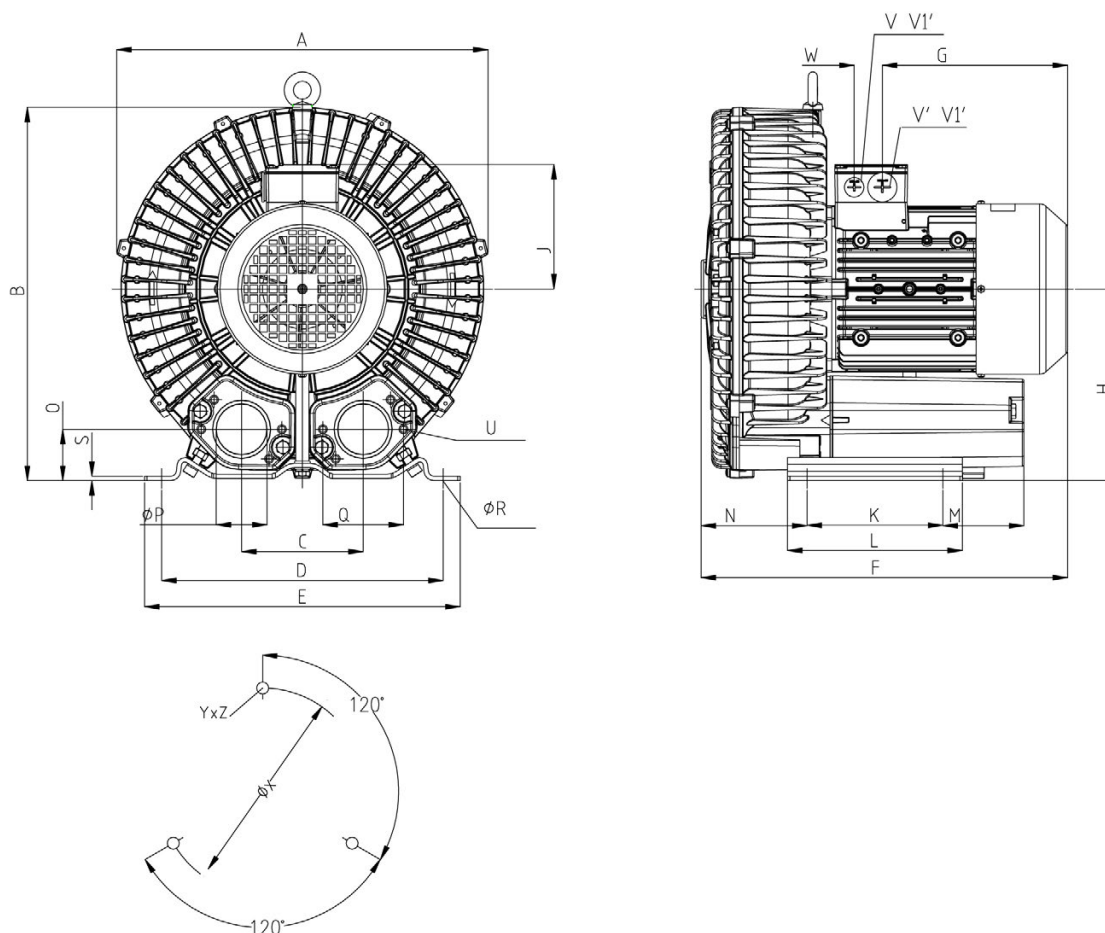
Curves



Curves are valid for dry air, with a temperature of 15°C at the inlet and a pressure of 1013 m bar(a) at the inlet or outlet connection (for over- or under-pressure application respectively). The tolerance on capacity is +/- 10%. No rights can be derived from the sketches, dimensions and contents of this data sheet. The data is for information purposes only. Induvac reserves the right to change or modify the data. No complaints can be made about this.



Dimensions



Curve No.	Type	A	B	C	D	E	F	G	H	J	K	L	M	N
73A / 73B	VC 322-730	382	384	125	290	325	387	191	197	128	140	180	84	109
73C / 73D	VC 330-730	382	384	125	290	325	419	188	197	135	140	180	84	109
73E / 73F	VC 340-730	382	384	125	290	325	442	209	197	148	140	180	84	109
Curve No.	Type	O	P	Q	ØR	S	U	V	V'	V1	V1'	YxZ	X-holes	ØX
73A / 73B	VC 322-730	54	G2"	83	15	4.5	M8 X 17	M25 X 1.5	M16 X 1.5			M10 x20	0°/120°/240°	Ø240
73C / 73D	VC 330-730	54	G2"	83	15	4.5	M8 X 17	M32 X 1.5	M32 X 1.5	M32 X 1.5	M32 X 1.5	M10 x20	0°/120°/240°	Ø240
73E / 73F	VC 340-730	54	G2"	83	15	4.5	M8 X 17	M32 X 1.5	M32 X 1.5	M32 X 1.5	M32 X 1.5	M10 x20	0°/120°/240°	Ø240