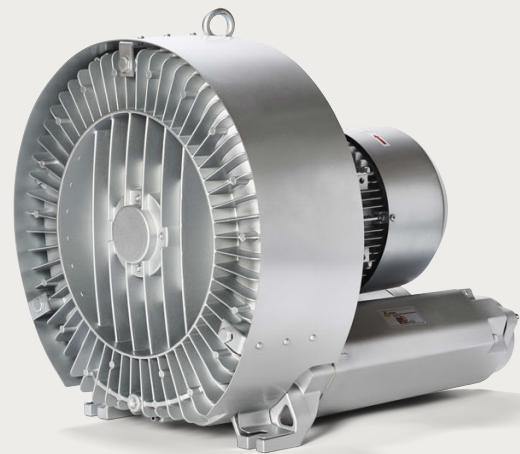




## Side channel blower 840 series

The standard VACOM® design, with housing an impeller made of aluminum alloy, is a direct drive configuration, with a dynamically balanced impeller, fitted directly on the motor shaft. The impeller rotates inside of the stator housing with a very small clearance. The absence of lubricants guarantees a 100% oil free vacuum or compression. Construction features of the VACOM® side channel blower are the very reliable operation and low maintenance. VACOM® blowers are directly driven, impellers fixed directly on the drive shaft. Impeller bearing is installed in the front cover and easily to assemble and disassemble. Machines are small and lightweight. VACOM® blowers are already available with differential pressures up to 700 mbar and capacities of 2000 m<sup>3</sup>/ hr.



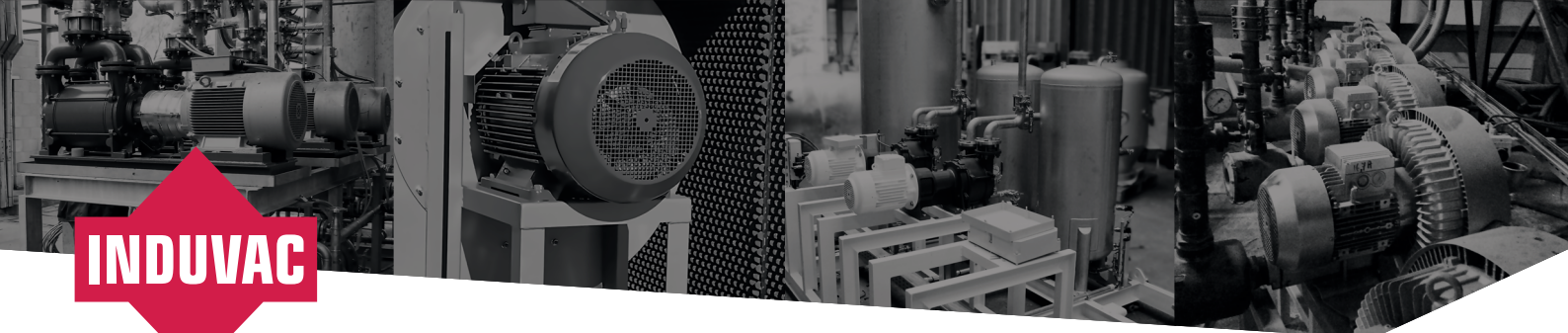
### Features

- ♦ Available from stock
- ♦ Almost free of maintenance
- ♦ Low power consumption
- ♦ Oil free compression, no oil in the medium
- ♦ Made of aluminum, so low weight and high corrosion resistance.

### Accessories

- ♦ Suction filter TGF ( for vacuum)
- ♦ Suction filter VCFT (for compression)
- ♦ Pressure relief valve DB
- ♦ External silencer EGD
- ♦ Fittings
- ♦ Various: change valve, pressure gauge, non return valve

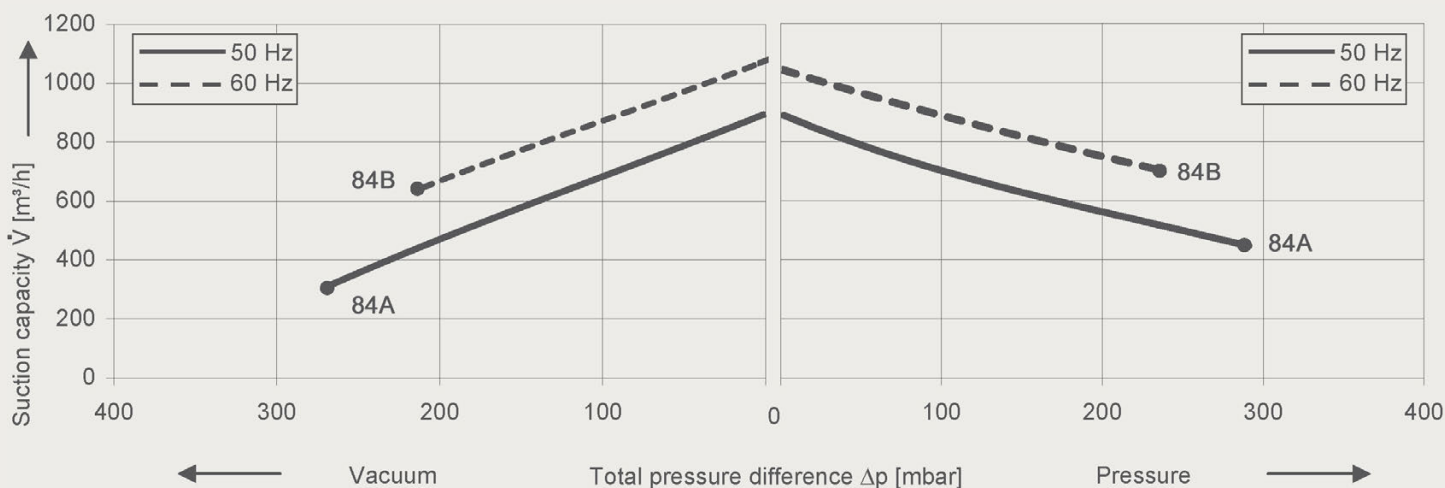




## Technical data

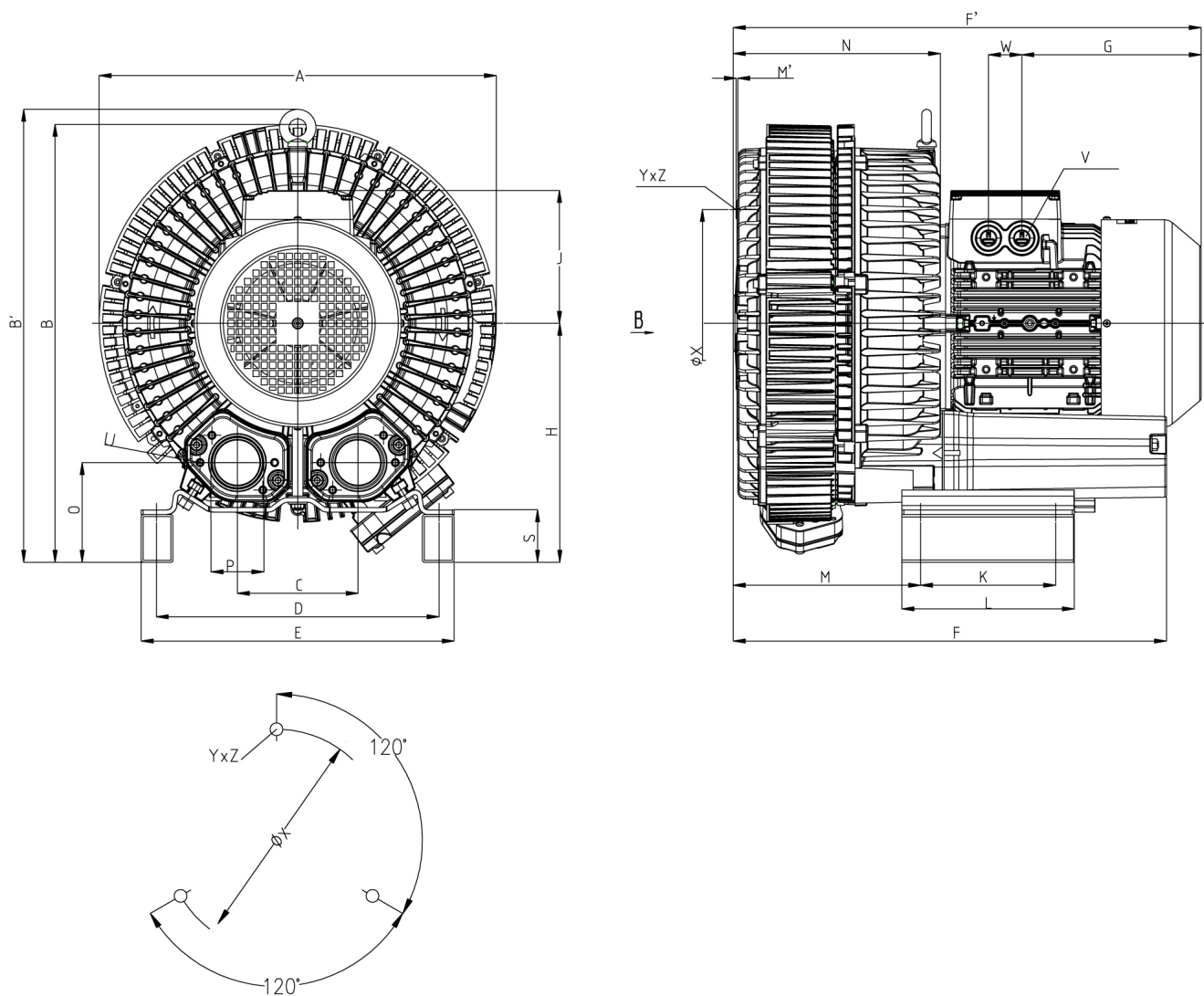
Type No.	Curve No.	Freq. Hz	Power kW	Voltage V		Current A		Capacity m <sup>3</sup> /hr	Pressure difference		Sound level dB[A]	Connec- tion "G	Weight kg
				Δ	Y	Δ	Y		Vacuum mbar	Pressure mbar			
VC 311-840	84A	50	12,60	380-420	660-725	23,30	13,50	900	-260	290	74	2,5	137
	84B	60	14,50	460-520	790-870	23,00	13,30	1050	-220	240	78	2,5	137
		50	11,00	400	690	19,60	11,30						
		60	12,60	480		18,70							

## Curves



Curves are valid for dry air, with a temperature of 15°C at the inlet and a pressure of 1013 m bar(a) at the inlet or outlet connection (for over- or under-pressure application respectively). The tolerance on capacity is +/- 10%. No rights can be derived from the sketches, dimensions and contents of this data sheet. The data is for information purposes only. Induvac reserves the right to change or modify the data. No complaints can be made about this.

# Dimensions



Curve No.	Type	A	B	C'	D	E	F	G	H	J	K	L
84A / 84B	VC 311-840	500	550	336	356	394	694	318	300	197	170	217
Curve No.	Type	M	N	O	ØP	ØR	S	V	W	ØX	YxZ	X-Holes
84A / 84B	VC 311-840	312	212	165	G 2 1/2"	15	66	4 x M40 x 1.5	54	286	M12x 20	0°/120°/240°