



Side channel blower 930 series

The standard VACOM® design, with housing an impeller made of aluminum alloy, is a direct drive configuration, with a dynamically balanced impeller, fitted directly on the motor shaft. The impeller rotates inside of the stator housing with a very small clearance. The absence of lubricants guarantees a 100% oil free vacuum or compression. Construction features of the VACOM® side channel blower are the very reliable operation and low maintenance. VACOM® blowers are directly driven, impellers fixed directly on the drive shaft. Impeller bearing is installed in the front cover and easily to assemble and disassemble. Machines are small and lightweight. VACOM® blowers are already available with differential pressures up to 700 mbar and capacities of 2000 m³/ hr.



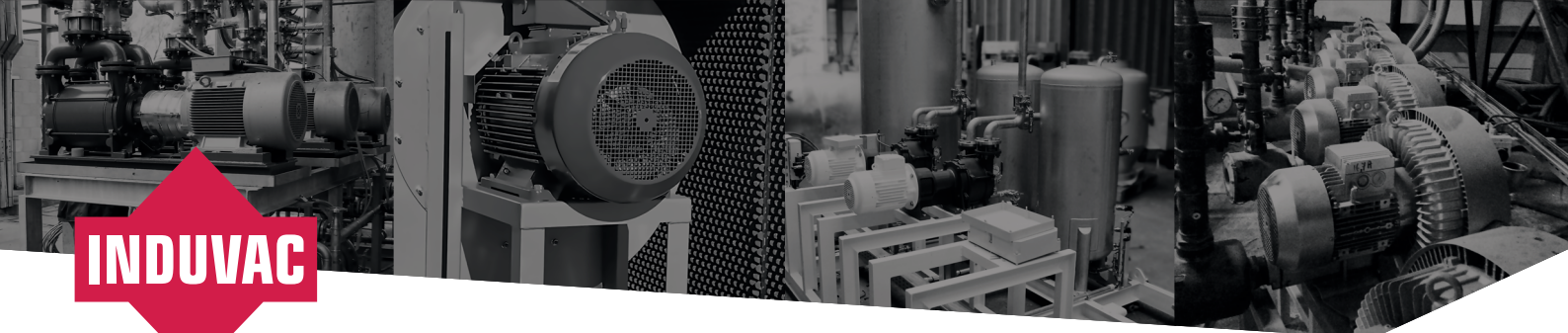
Features

- ♦ Available from stock
- ♦ Almost free of maintenance
- ♦ Low power consumption
- ♦ Oil free compression, no oil in the medium
- ♦ Made of aluminum, so low weight and high corrosion resistance.

Accessories

- ♦ Suction filter TGF (for vacuum)
- ♦ Suction filter VCFT (for compression)
- ♦ Pressure relief valve DB
- ♦ External silencer EGD
- ♦ Fittings
- ♦ Various: change valve, pressure gauge, non return valve

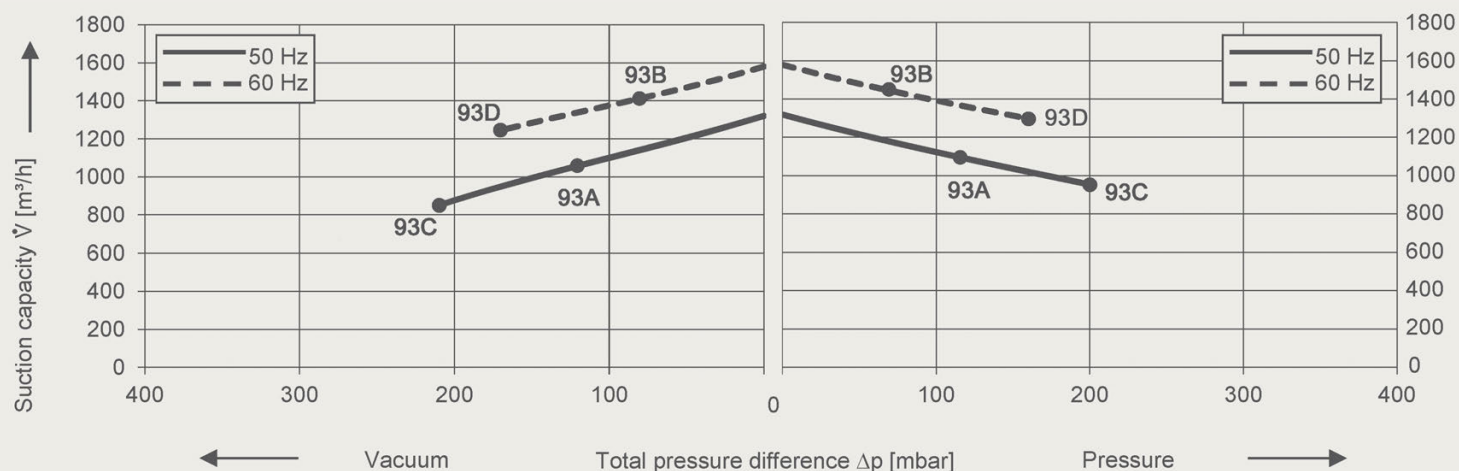




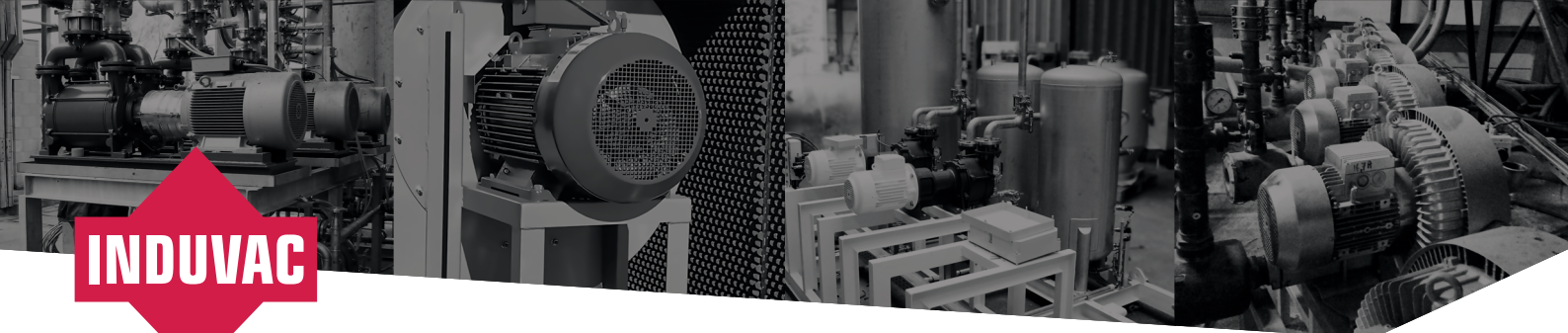
Technical data

Type No.	Curve No.	Freq. Hz	Power kW	Voltage V		Current A		Capacity m ³ /hr	Pressure difference		Sound level dB(A)	Connec-tion "G	Weight kg
				380-420 Δ	660-725 Y	15,50 Δ	8,90 Y		Vacuum mbar	Pressure mbar			
VC 375-930	93A	50	8,60	380-420 Δ	660-725 Y	15,50 Δ	8,90 Y	1370	-120	110	74	4	124
	93B	60	9,90	460-520 Δ	790-870 Y	15,30 Δ	8,80 Y	1650	-80	70	79	4	124
		50	7,50 IE3	400 Δ	690 Y	13,50 Δ	7,80 Y						
		60	8,60 IE3	480 Δ		12,00 Δ	Y						
VC 311-930	93C	50	12,60	380-420 Δ	660-725 Y	23,30 Δ	13,50 Y	1370	-210	200	74	4	146
	93D	60	14,50	460-520 Δ	790-870 Y	23,00 Δ	13,30 Y	1650	-170	160	79	4	146
		50	11,00 IE3	400 Δ	690 Y	19,60 Δ	11,30 Y						
		60	12,60 IE3	480 Δ		18,70 Δ	Y						

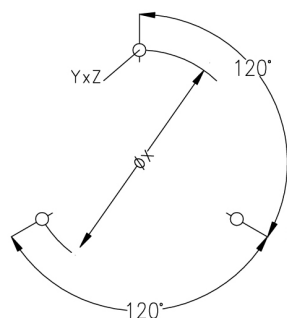
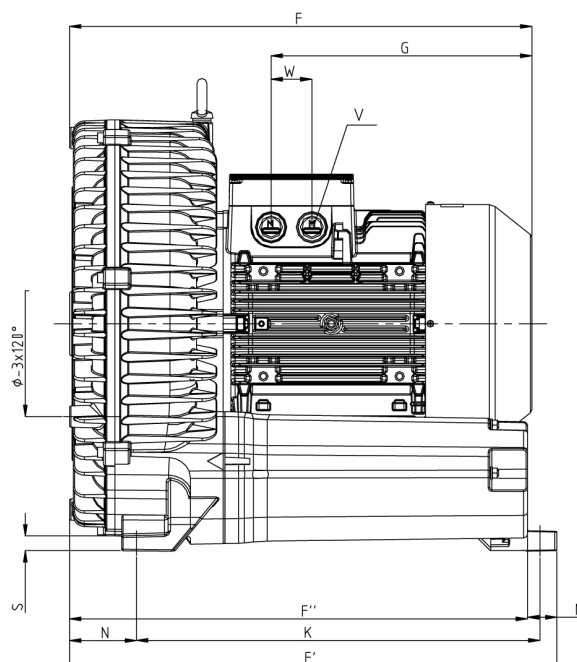
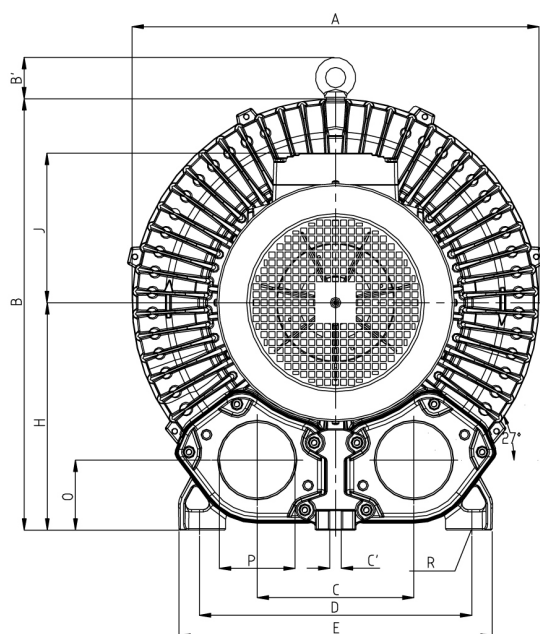
Curves



Curves are valid for dry air, with a temperature of 15°C at the inlet and a pressure of 1013 m bar(a) at the inlet or outlet connection (for over- or under-pressure application respectively). The tolerance on capacity is +/- 10%. No rights can be derived from the sketches, dimensions and contents of this data sheet. The data is for information purposes only. Induvac reserves the right to change or modify the data. No complaints can be made about this.



Dimensions



Curve No.	Type	A	B	B'	C	C'	D	E	F	F'	F''	G	H	J	K
93A / 93B	VC 375-930	550	569	55	207	15	360	415	563	682	643	268	300	167	533
93C / 93D	VC 311-930	550	569	55	207	15	360	415	649	682	643	345	300	197	533
Curve No.	Type	M	N	O	ØP	Q	ØR	S	U	V	W	ØX	YxZ	X-holes	
93A / 93B	VC 375-930	39	127	92	4" G	150	15	21	M12 X 1.5	4 x M40 x 1.5	54	490	M12 x 30	0°/120°/240°	
93C / 93D	VC 311-930	39	127	92	4" G	150	15	21	M12 X 1.5	4 x M40 x 1.5	54	490	M12 x 30	0°/120°/240°	