



Side channel blower 940 series

The standard VACOM® design, with housing an impeller made of aluminum alloy, is a direct drive configuration, with a dynamically balanced impeller, fitted directly on the motor shaft. The impeller rotates inside of the stator housing with a very small clearance. The absence of lubricants guarantees a 100% oil free vacuum or compression. Construction features of the VACOM® side channel blower are the very reliable operation and low maintenance. VACOM® blowers are directly driven, impellers fixed directly on the drive shaft. Impeller bearing is installed in the front cover and easily to assemble and disassemble. Machines are small and lightweight. VACOM® blowers are already available with differential pressures up to 700 mbar and capacities of 2000 m³/ hr.



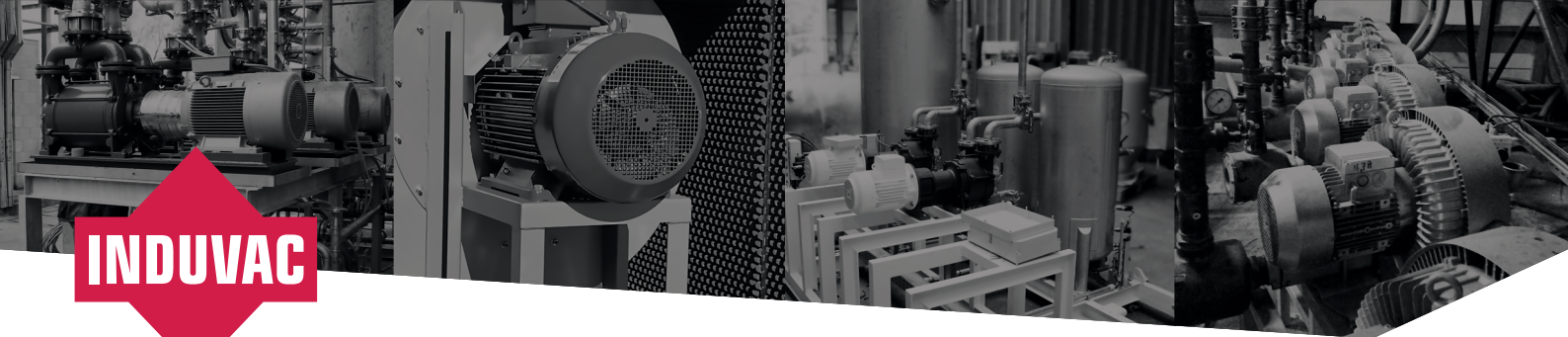
Features

- ♦ Available from stock
- ♦ Almost free of maintenance
- ♦ Low power consumption
- ♦ Oil free compression, no oil in the medium
- ♦ Made of aluminum, so low weight and high corrosion resistance.

Accessories

- ♦ Suction filter TGF (for vacuum)
- ♦ Suction filter VCFT (for compression)
- ♦ Pressure relief valve DB
- ♦ External silencer EGD
- ♦ Fittings
- ♦ Various: change valve, pressure gauge, non return valve

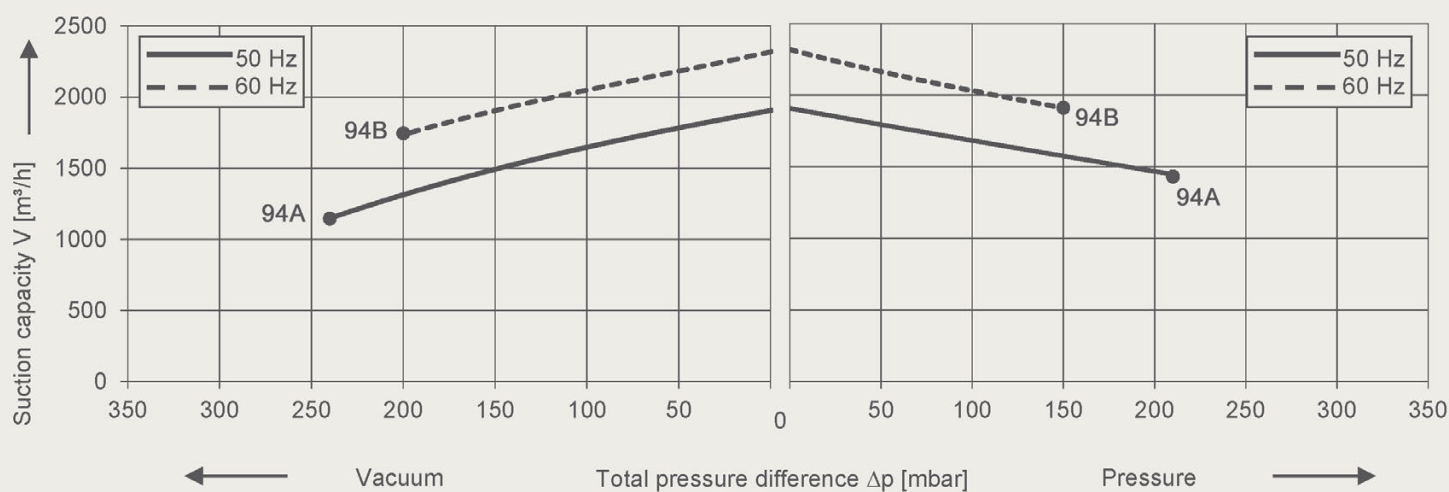




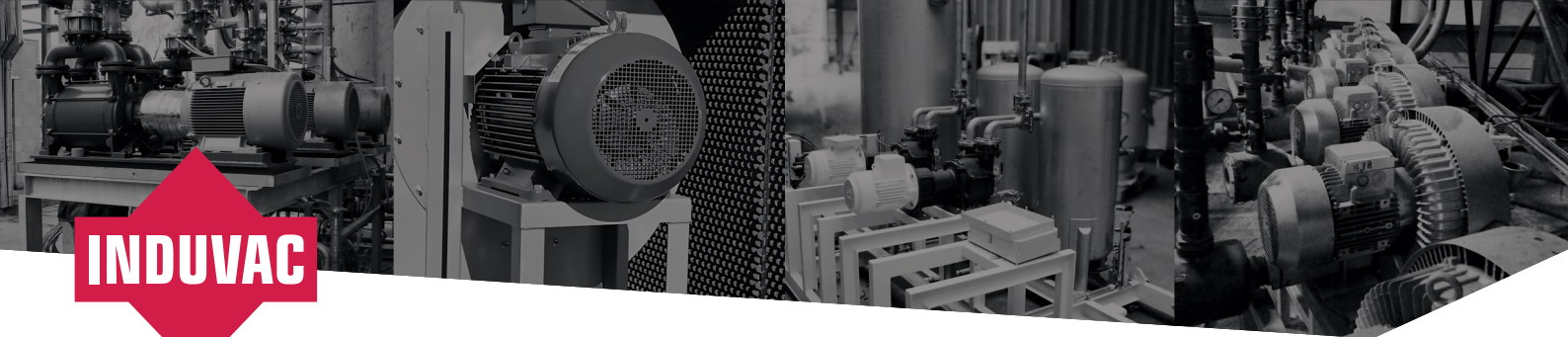
Technical data

Type Nr.	Curve Nr.	Freq. Hz	Vermogen kW	Voltage		Stroomsterkte		Capaciteit m ³ /uur	Verschildruk		Geluids-niveau dB(A)	Aan-sluiting "G	Gewicht kg
				V		A			Vacuum mbar	Compressie mbar			
VC 318-940	94A	50	21,30	380-420 Δ	660-725 Y	38,30 Δ	22,10 Y	1940	-240	210	75	4	212
	94B	60	24,50	460-520 Δ	790-870 Y	38,00 Δ	22,00 Y	2310	-200	150	84	4	212
		50	18,50 IE3	400 Δ	690 Y	32,50 Δ	18,80 Y						
		60	21,30 IE3	480 Δ			32,40 Δ	Y					

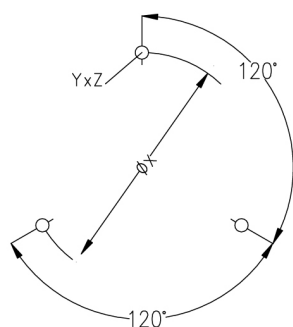
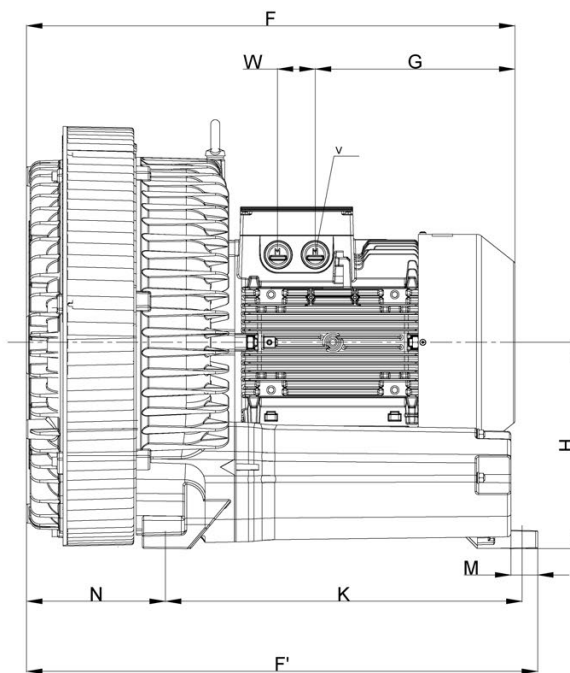
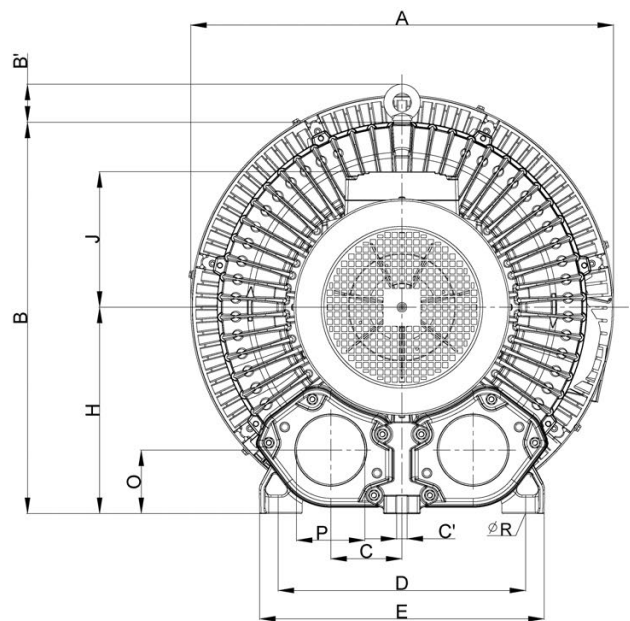
Curves



Curves are valid for dry air, with a temperature of 15°C at the inlet and a pressure of 1013 m bar(a) at the inlet or outlet connection (for over- or under-pressure application respectively). The tolerance on capacity is +/- 10%. No rights can be derived from the sketches, dimensions and contents of this data sheet. The data is for information purposes only. Induvac reserves the right to change or modify the data. No complaints can be made about this.



Dimensions



Curve No.	Type	A	B	B'	C	C'	D	E	F	F'	G	H	J	K
94A / 94B	VC 318-940	615	657	16	207	15	360	415	752	786	345	350	197	533
Curve No.	Type	M	N	O	ØP	Q	ØR	S	U	V	W	ØX	YxZ	X-holes
94A / 94B	VC 318-940	39	280	142	4" G	140	15	71	M12 X 1.5	4 x M40 x 1.5	54	490	M12 x 30	0°/120°/240°