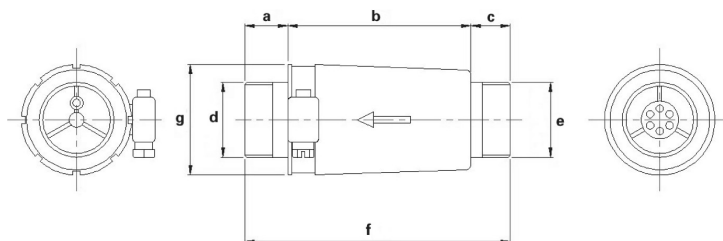


Pressure relief valve DB series

The Induvac Relief Valve is constructed of aluminum or plastic and is designed to protect side channel blowers from overheating in a blocked-off mode during vacuum or pressure operation. Each valve can be set by the customer to the desired vacuum or pressure level. The relief valves are available in 1 1/4" up to 3" connection.

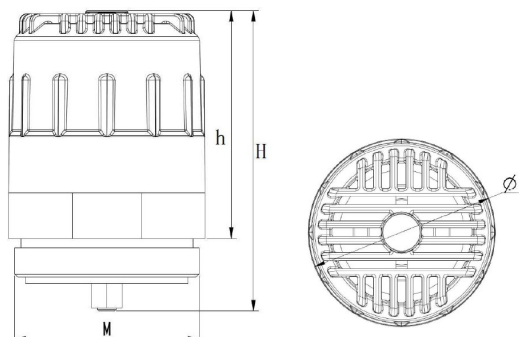


Induvac Ref.	a mm	b mm	c mm	d/e connection	f mm	g mm	Pressure range
DB 14A	240	140	70	G. 1"1/4	50	0,5	0-300 mbar
DB 14B	230	170	80	G. 1"1/4	30	0,6	300-600 mbar



Induvac Ref.	H mm	h mm	ØA mm	M connection	f mm	g mm	Pressure * range
DB 14	240	140	70	G. 1"1/4	50	0,5	0-700 mbar
DB 15	230	170	80	G. 1"1/2	30	0,6	0-700 mbar
DB 2	240	140	70	G. 2	50	0,5	0-700 mbar
DB 3	230	170	80	G. 3	30	0,6	0-700 mbar

* to be specified at order



No rights can be derived from the sketches, dimensions and contents of this data sheet. The data is for information purposes only. Induvac reserves the right to change or modify the data. No complaints can be made about this.