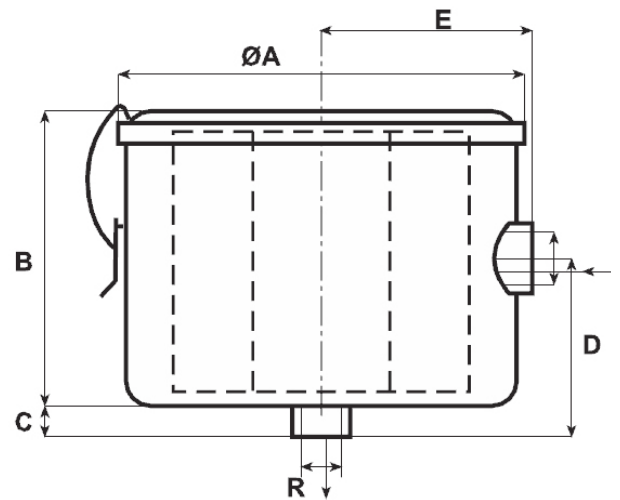


Air filters for vacuum operation TGF series

The Induvac suction filters are available in capacities from 24 m³/hr up to 1200 m³/hr and can be used for both vacuum pumps and compressors. The filters are recognized by its famous black housing and are standard supplied with a paper element. But these elements can also be made of polyester or stainless steel in different filtration grades. The housings are 100% interchangeable with the one of the standard brands. Filters can be delivered with connections starting from 3/8" up to 4" with BSP and NPT thread. The standard steel construction is equipped with a special coating to guarantee a long life time.



Induvac Ref.	Capacity m ³ /hr	Cartridge type	R "G	A mm	B mm	C mm	D mm	E mm
TGF.001	24	TGA 8093	3/8"	80	66	12	39	45
TGF.002	42	TGA 8034	3/4"	110	76	14	53	54
TGF.002/1	42	TGA 8034	1/2"	100	76	14	53	54
TGF.003	108	TGA 8051	1 1/4"	170	141	17	93	96
TGF.004	96	TGA 8032	1 1/4"	133	85	17	53	78
TGF.005	192	TGA 8070	1 1/2"	170	170	18	124	100
TGF.006	310	TGA 8050	2"	200	240	18	124	114
TGF.006/1	360	TGA 8050	2 1/2"	200	240	18	124	114
TGF.007	550	TGA 8063	3"	270	180	50	145	165
TGF.008	720	TGA 8063	4"	270	180	50	145	165
TGF.009	1080	TGA 8272	3"	280	395	50	330	190
TGF.010	1260	TGA 8086	4"	360	590	50	400	230



No rights can be derived from the sketches, dimensions and contents of this data sheet. The data is for information purposes only. Induvac reserves the right to change or modify the data. No complaints can be made about this.