



Side channel blower O10 series

The standard VACOM® design, with housing an impeller made of aluminum alloy, is a direct drive configuration, with a dynamically balanced impeller, fitted directly on the motor shaft. The impeller rotates inside of the stator housing with a very small clearance. The absence of lubricants guarantees a 100% oil free vacuum or compression. Construction features of the VACOM® side channel blower are the very reliable operation and low maintenance. VACOM® blowers are directly driven, impellers fixed directly on the drive shaft. Impeller bearing is installed in the front cover and easily to assemble and disassemble. Machines are small and lightweight. VACOM® blowers are already available with differential pressures up to 700 mbar and capacities of 2000 m³/ hr.



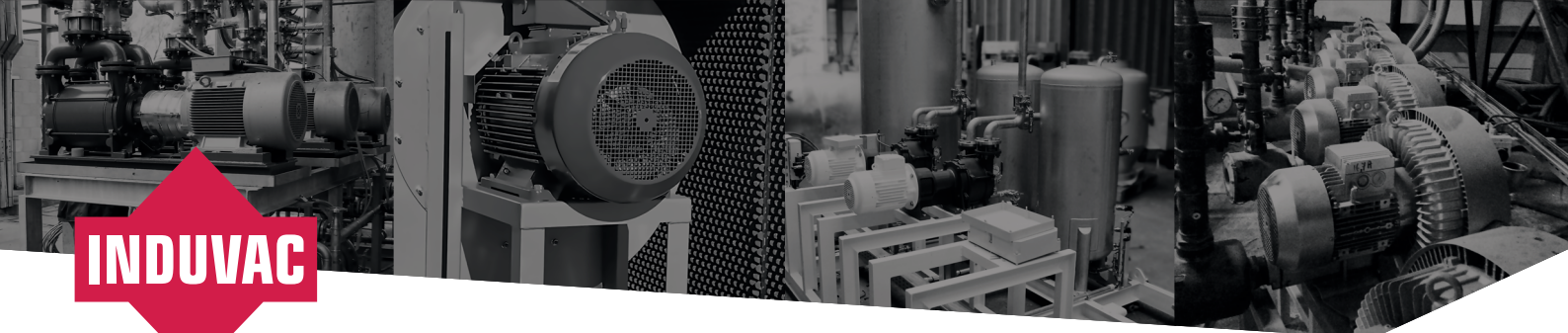
Features

- ♦ Available from stock
- ♦ Almost free of maintenance
- ♦ Low power consumption
- ♦ Oil free compression, no oil in the medium
- ♦ Made of aluminum, so low weight and high corrosion resistance.

Accessories

- ♦ Suction filter TGF (for vacuum)
- ♦ Suction filter VCFT (for compression)
- ♦ Pressure relief valve DB
- ♦ External silencer EGD
- ♦ Fittings
- ♦ Various: change valve, pressure gauge, non return valve

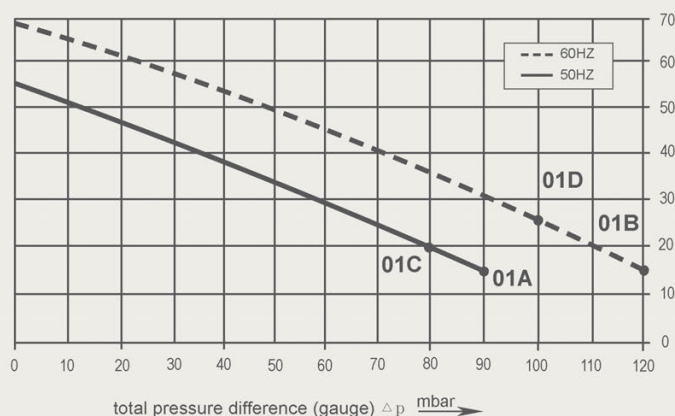
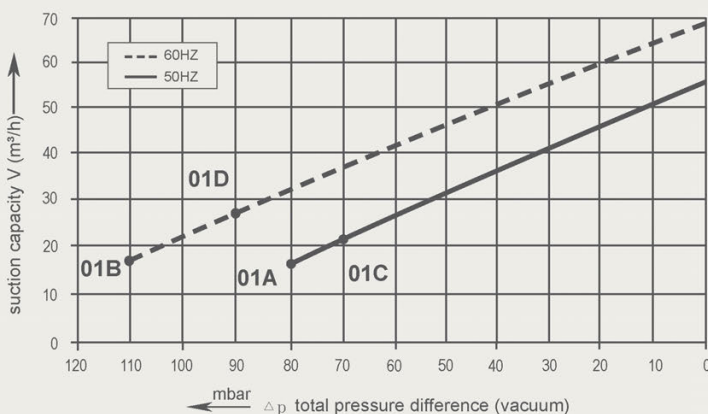




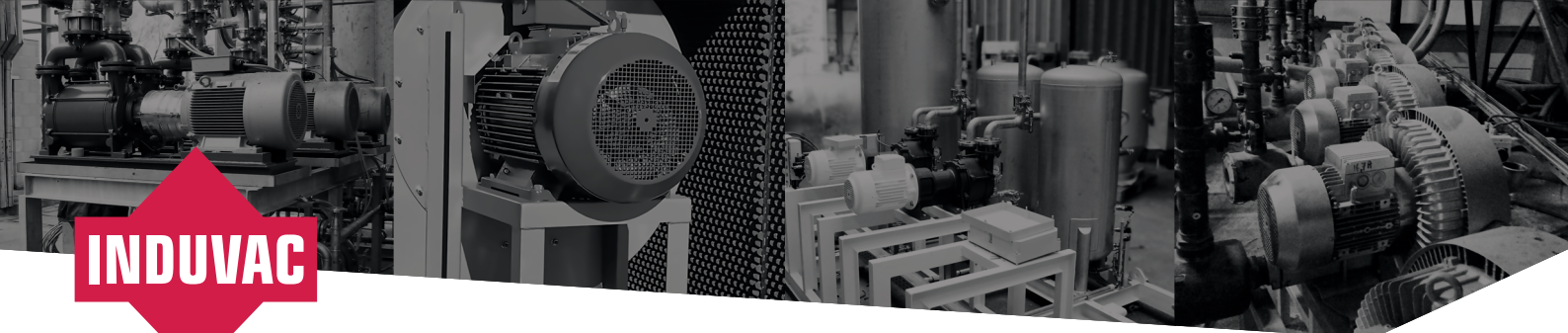
Technical data

Type No.	Curve No.	Freq. Hz	Power kW	Voltage V		Current A	Capacity m ³ /hr	Pressure difference		Sound level dB[A]	Connec-tion "G	Weight kg
				Δ	Y			Vacuum mbar	Pressure mbar			
VC 304-210	21A	50	0,40	200-260 Δ	350-450 Y	1,80 Δ 1,04 Y	80	-120	130	53	1,25	10
	21B	60	0,50	230-290 Δ	400-500 Y	1,90 Δ 1,10 Y	98	-120	110	56	1,25	10
VC 104-210	21C	50	0,37	230		2,70	80	-110	110	53	1,25	11
	21D	60	0,45	230		3,00	96	-130	140	56	1,25	11

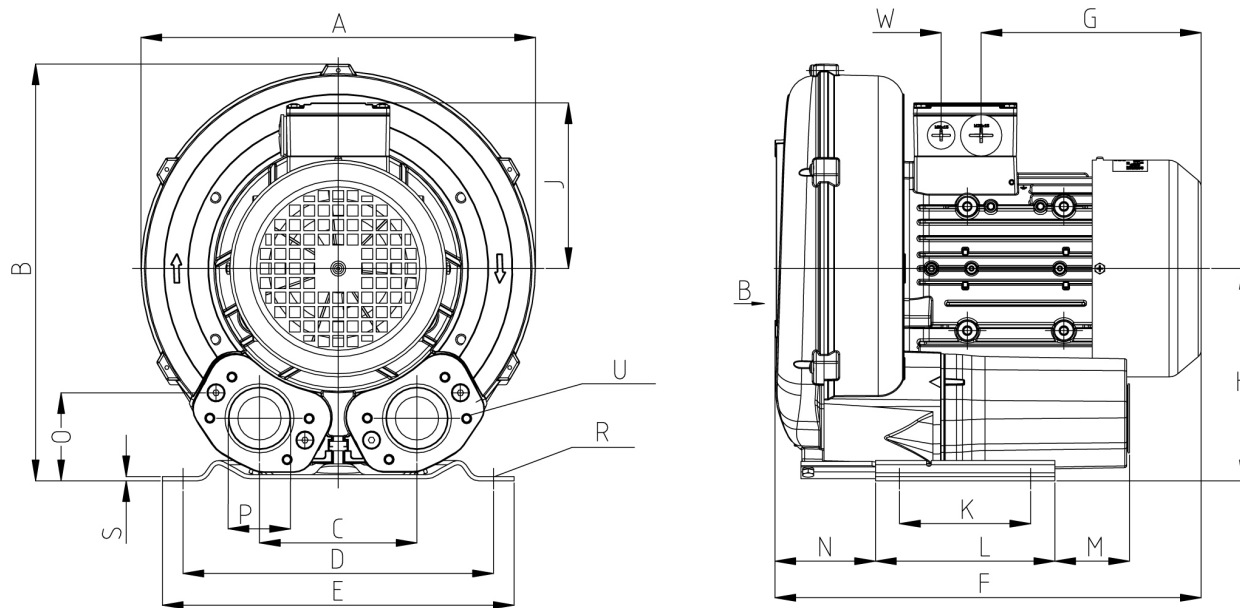
Curves



Curves are valid for dry air, with a temperature of 15°C at the inlet and a pressure of 1013 m bar(a) at the inlet or outlet connection (for over- or under-pressure application respectively). The tolerance on capacity is +/- 10%. No rights can be derived from the sketches, dimensions and contents of this data sheet. The data is for information purposes only. Induvac reserves the right to change or modify the data. No complaints can be made about this.



Dimensions



Curve No.	Type	A	B	C	D	E	F	G	H	J	K	L	M
01A / 01B	VC 302-010	198	212	85	179	196	222	108	115	100	65	90	40
01C / 01D	VC 102-010	198	212	85	179	196	222	108	115	100	65	90	40
Curve No.	Type	N	O	P	Q	Ø R	S	U	V	V'	YxZ	X-holes	W
01A / 01B	VC 302-010	45	34	G1"	60	8,5	2	M6x17	M16x1,5	M25x1,5	M6x15	0°/120°/240°	29
01C / 01D	VC 102-010	45	34	G1"	60	8,5	2	M6x17	M16x1,5	M25x1,5	M6x15	0°/120°/240°	29