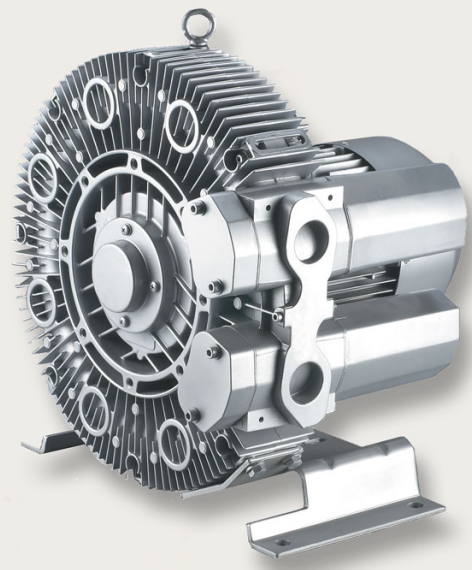




## Side channel blower 214 series

The standard VACOM® design, with housing an impeller made of aluminum alloy, is a direct drive configuration, with a dynamically balanced impeller, fitted directly on the motor shaft. The impeller rotates inside of the stator housing with a very small clearance. The absence of lubricants guarantees a 100% oil free vacuum or compression. Construction features of the VACOM® side channel blower are the very reliable operation and low maintenance. VACOM® blowers are directly driven, impellers fixed directly on the drive shaft. Impeller bearing is installed in the front cover and easily to assemble and disassemble. Machines are small and lightweight. VACOM® blowers are already available with differential pressures up to 700 mbar and capacities of 2000 m<sup>3</sup>/ hr.



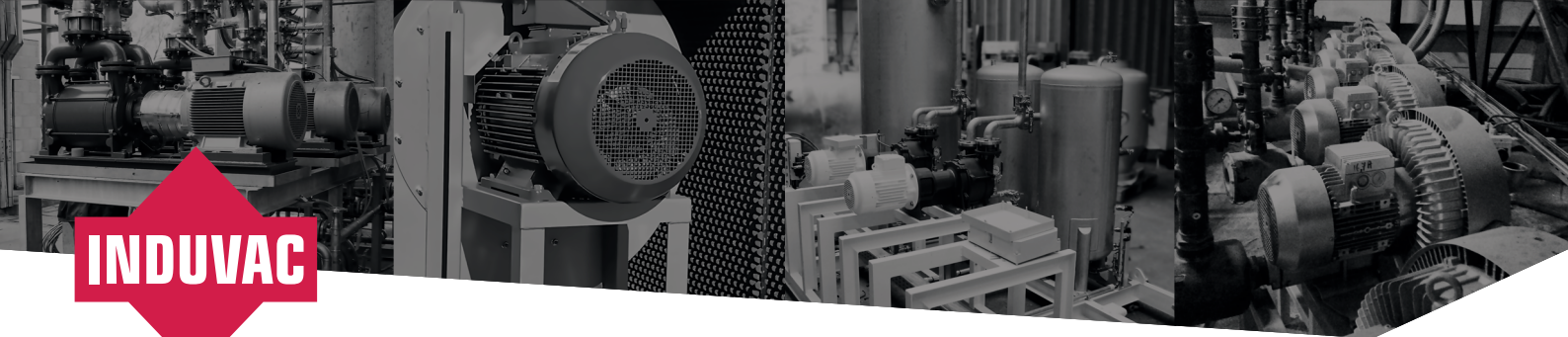
### Features

- ◆ Available from stock
- ◆ Almost free of maintenance
- ◆ Low power consumption
- ◆ Oil free compression, no oil in the medium
- ◆ Made of aluminum, so low weight and high corrosion resistance.

### Accessories

- ◆ Suction filter TGF ( for vacuum)
- ◆ Suction filter VCFT (for compression)
- ◆ Pressure relief valve DB
- ◆ External silencer EGD
- ◆ Fittings
- ◆ Various: change valve, pressure gauge, non return valve

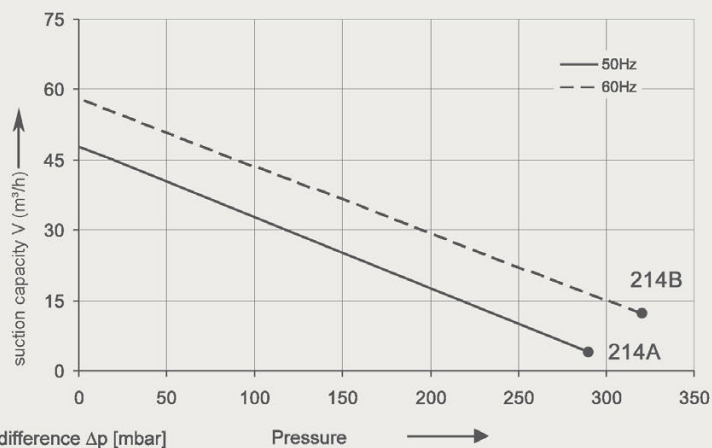
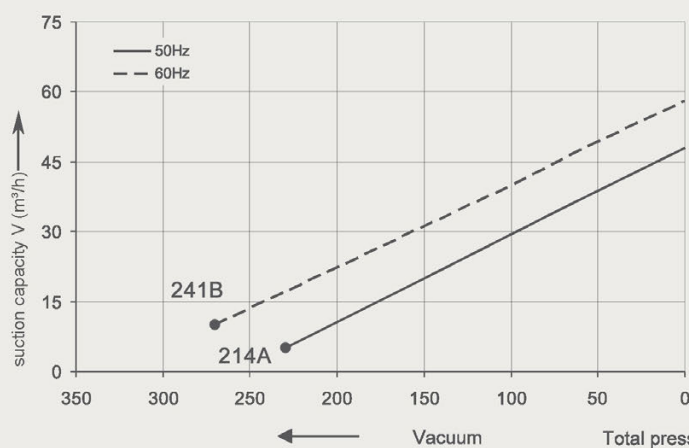




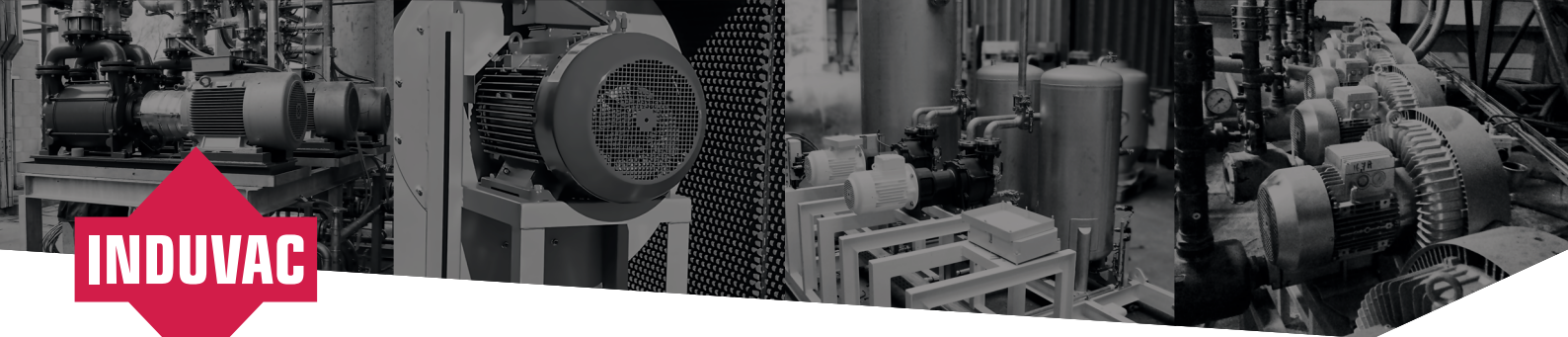
## Technical data

Type No.	Curve No.	Freq. Hz	Power kW	Voltage		Current A	Capacity m <sup>3</sup> /hr.	Pressure difference		Sound level dB(A)	Connec- tion "G	Weight kg
				V				Vacuum mbar	Pressure mbar			
VC 305-214	214A	50	0,55	200-260 Δ	350-450 Y	2,45 Δ 1,42 Y	47	-230	290	57	1,25	16
	214B	60	0,63	230-290 Δ	400-500 Y	2,52 Δ 1,46 Y	57	-270	280	62	1,25	16

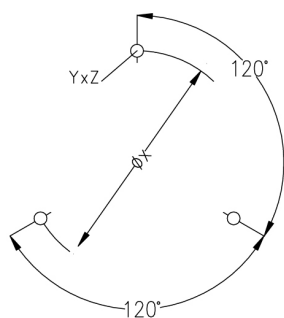
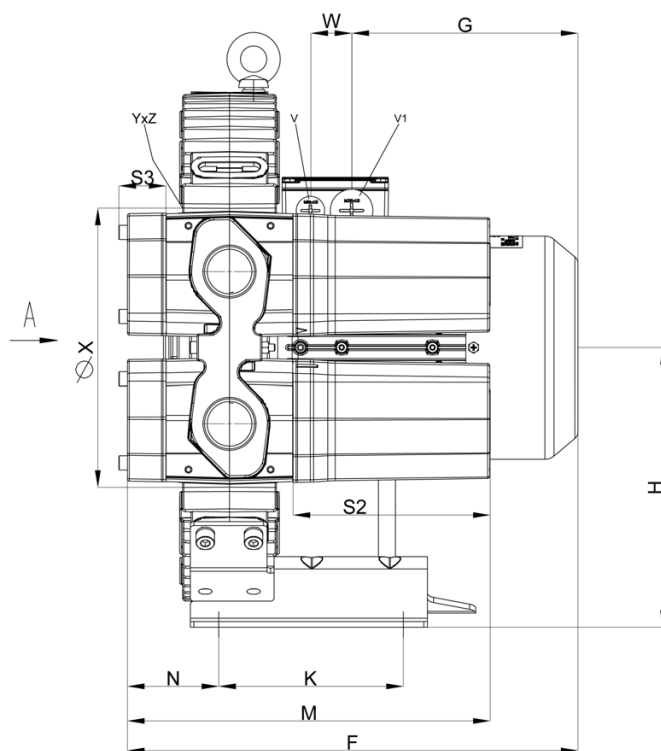
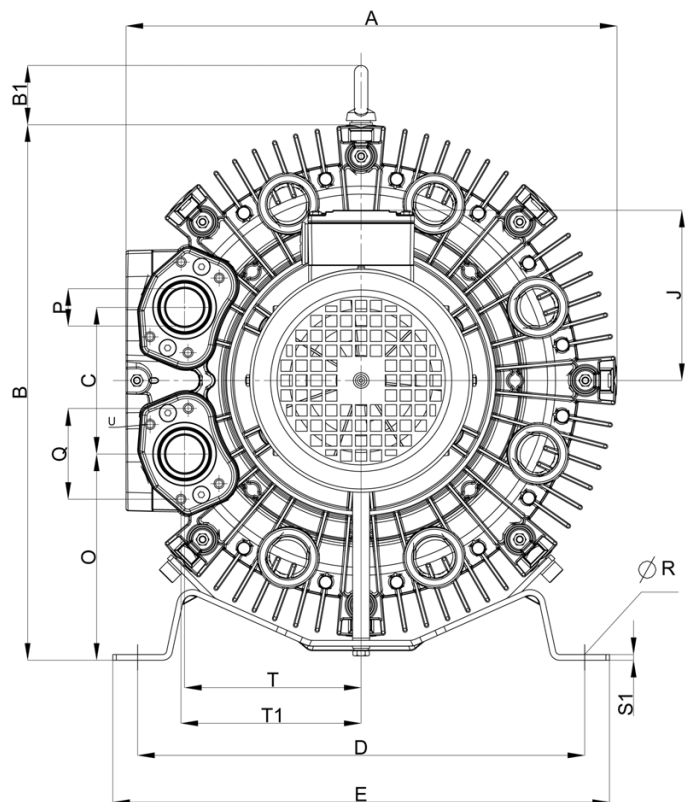
## Curves



Curves are valid for dry air, with a temperature of 15°C at the inlet and a pressure of 1013 m bar(a) at the inlet or outlet connection (for over- or under-pressure application respectively). The tolerance on capacity is +/- 10%. No rights can be derived from the sketches, dimensions and contents of this data sheet. The data is for information purposes only. Induvac reserves the right to change or modify the data. No complaints can be made about this.



# Dimensions



Curve No.	Type	A	B	B1	C	D	E	F	G	H	J	K	M	N	O
214 A/B	VC 305-214	294	319	39	87	260	298	293	129	167	111	105	252	65	124
Curve No.	Type	P	Q	R	S	S <sub>2</sub>	S <sub>3</sub>	T	T <sub>1</sub>	U	V	V <sub>1</sub>	W	ØX	YxZ
214 A/B	VC 305-214	G1 1/4"	64	14	4	140	31	105	107	M6 x 17	M25 x 1,5	M16 x 1,5	32	32	M16 x 1,5