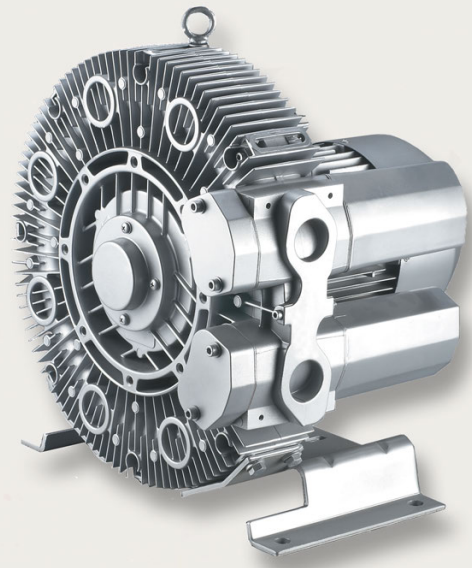




## Side channel blower 414 series

The standard VACOM® design, with housing an impeller made of aluminum alloy, is a direct drive configuration, with a dynamically balanced impeller, fitted directly on the motor shaft. The impeller rotates inside of the stator housing with a very small clearance. The absence of lubricants guarantees a 100% oil free vacuum or compression. Construction features of the VACOM® side channel blower are the very reliable operation and low maintenance. VACOM® blowers are directly driven, impellers fixed directly on the drive shaft. Impeller bearing is installed in the front cover and easily to assemble and disassemble. Machines are small and lightweight. VACOM® blowers are already available with differential pressures up to 700 mbar and capacities of 2000 m<sup>3</sup>/ hr.



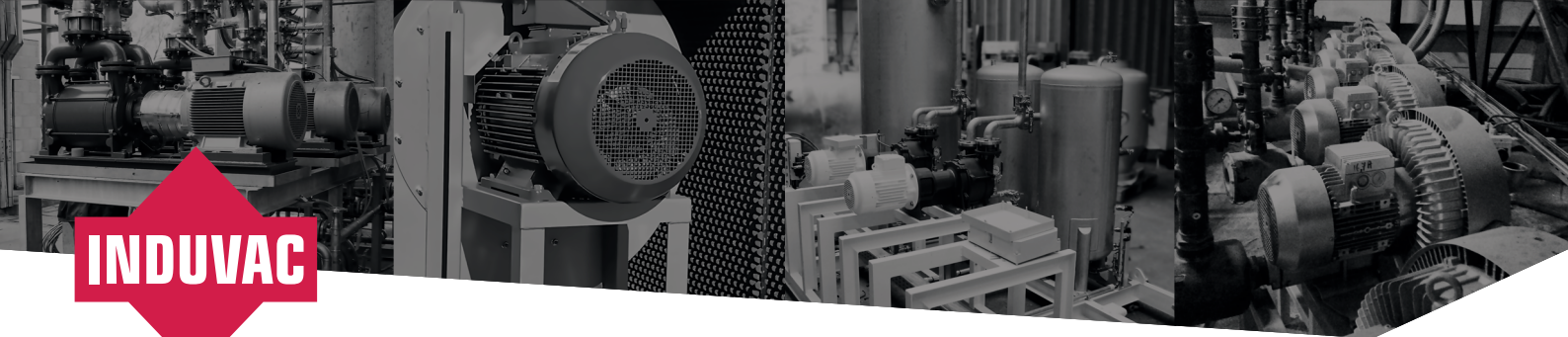
### Features

- ◆ Available from stock
- ◆ Almost free of maintenance
- ◆ Low power consumption
- ◆ Oil free compression, no oil in the medium
- ◆ Made of aluminum, so low weight and high corrosion resistance.

### Accessories

- ◆ Suction filter TGF ( for vacuum)
- ◆ Suction filter VCFT (for compression)
- ◆ Pressure relief valve DB
- ◆ External silencer EGD
- ◆ Fittings
- ◆ Various: change valve, pressure gauge, non return valve

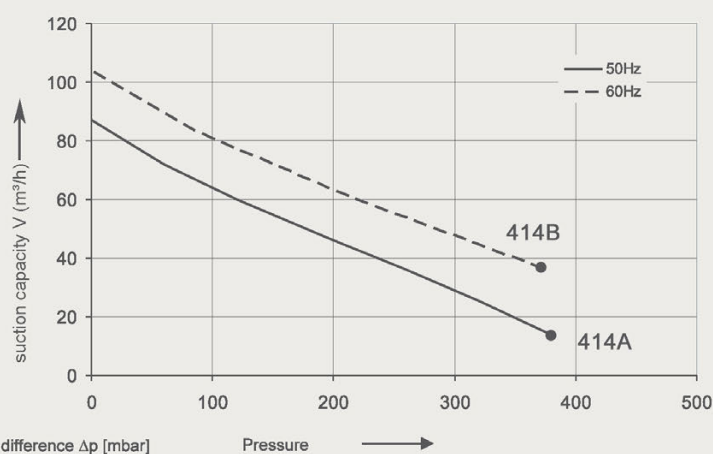
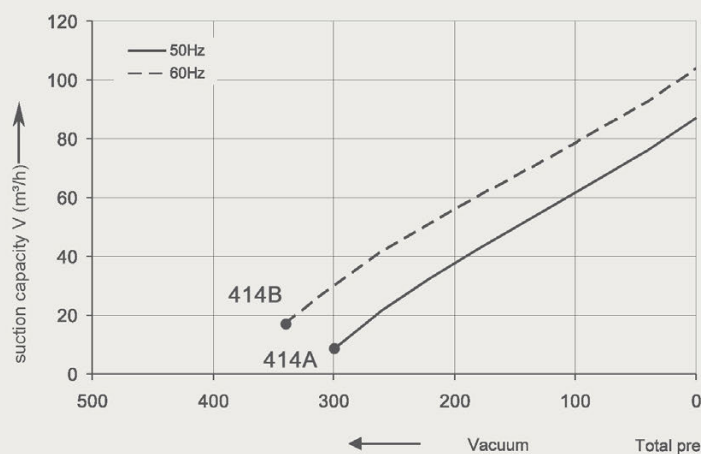




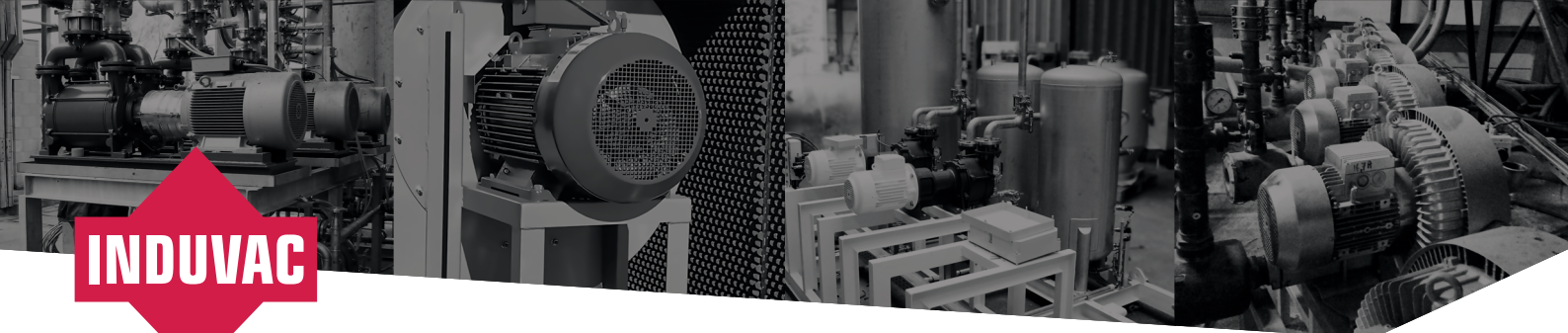
## Technical data

Type No.	Curve No.	Freq. Hz	Power kW	Voltage V		Current A	Capacity m <sup>3</sup> /hr.	Pressure difference		Sound level dB(A)	Connec- tion "G	Weight kg
				200-240 Δ	345-415 Y			Vacuum mbar	Pressure mbar			
VC 311-414	414A	50	1,10	200-240 Δ	345-415 Y	6,40 Δ 3,10 Y	87	-300	380	58	1,25	23
	414B	60	1,30	220-275 Δ	380-480 Y	6,40 Δ 3,10 Y	105	-340	370	62	1,25	23

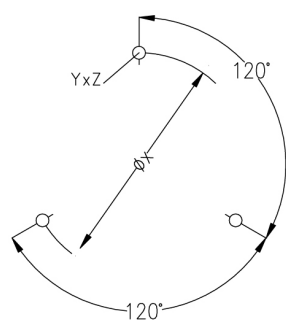
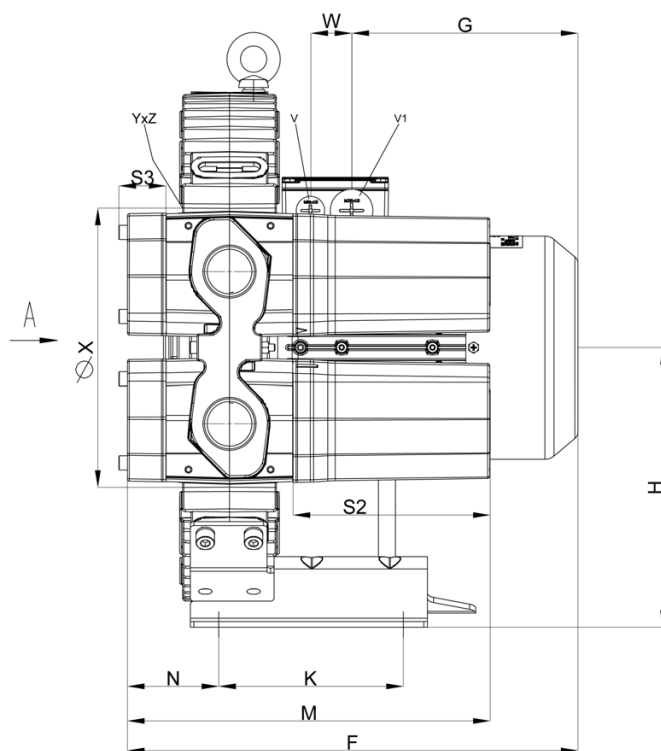
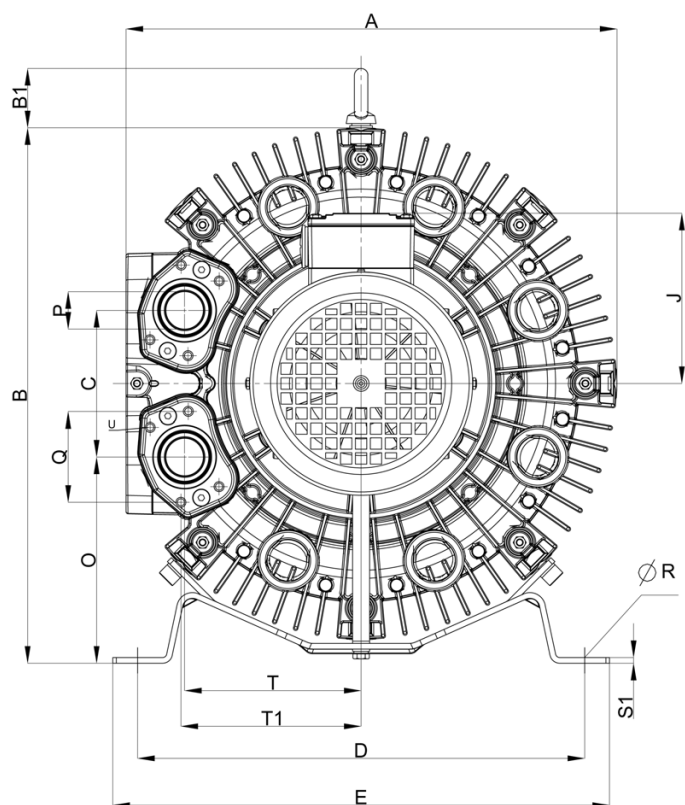
## Curves



Curves are valid for dry air, with a temperature of 15°C at the inlet and a pressure of 1013 m bar(a) at the inlet or outlet connection (for over- or under-pressure application respectively). The tolerance on capacity is +/- 10%. No rights can be derived from the sketches, dimensions and contents of this data sheet. The data is for information purposes only. Induvac reserves the right to change or modify the data. No complaints can be made about this.



# Dimensions



Curve No.	Type	A	B	B1	C	D	E	F	G	H	J	K	M	N	O
414 A/B	VC 311-414	346	375	38	103	315	350	321	153	195	120	130	260	66	143
Curve No.	Type	P	Q	R	S	S2	S3	T	T1	U	V	V1	W	ØX	YxZ
414 A/B	VC 311-414	G1 1/4"	64	14	4	140	31	125	127	M6 x 17	M25 x 1,5	M16 x 1,5	32	167	M16 x 1,5