

## Side channel blower 424 series

The standard VACOM® design, with housing an impeller made of aluminum alloy, is a direct drive configuration, with a dynamically balanced impeller, fitted directly on the motor shaft. The impeller rotates inside of the stator housing with a very small clearance. The absence of lubricants guarantees a 100% oil free vacuum or compression. Construction features of the VACOM® side channel blower are the very reliable operation and low maintenance. VACOM® blowers are directly driven, impellers fixed directly on the drive shaft. Impeller bearing is installed in the front cover and easily to assemble and disassemble. Machines are small and lightweight. VACOM® blowers are already available with differential pressures up to 700 mbar and capacities of 2000 m<sup>3</sup>/ hr.



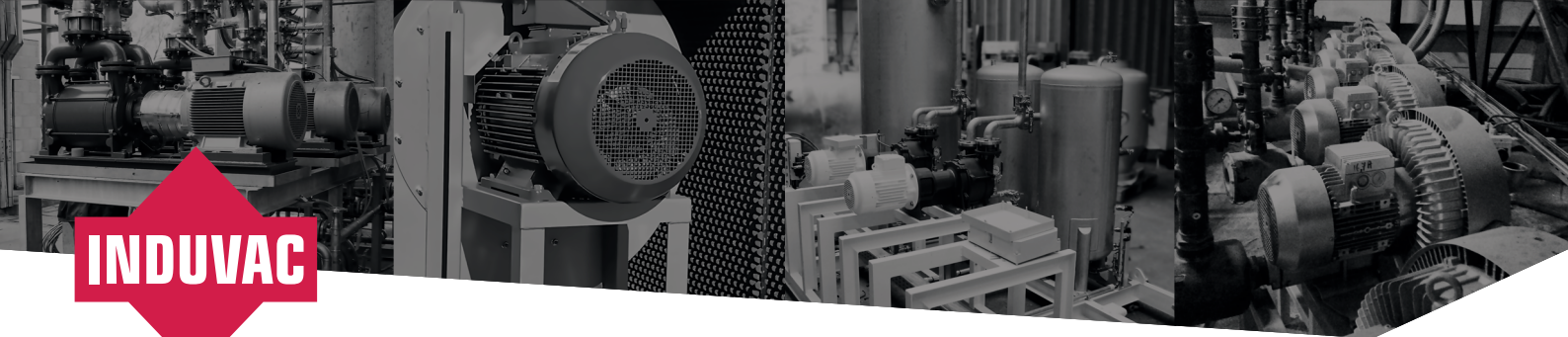
### Features

- ♦ Available from stock
- ♦ Almost free of maintenance
- ♦ Low power consumption
- ♦ Oil free compression, no oil in the medium
- ♦ Made of aluminum, so low weight and high corrosion resistance.

### Accessories

- ♦ Suction filter TGF ( for vacuum)
- ♦ Suction filter VCFT (for compression)
- ♦ Pressure relief valve DB
- ♦ External silencer EGD
- ♦ Fittings
- ♦ Various: change valve, pressure gauge, non return valve

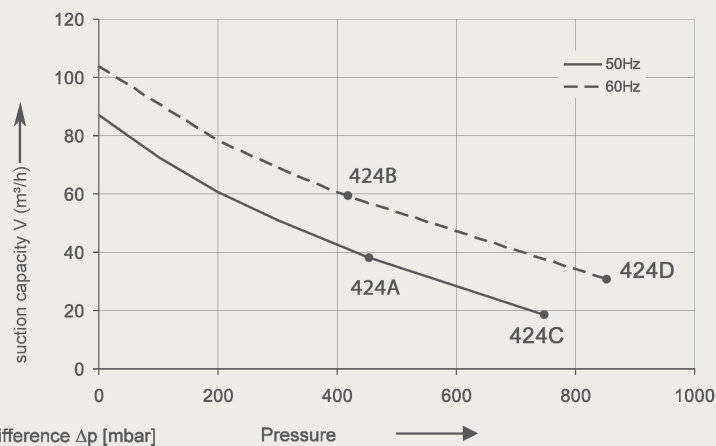
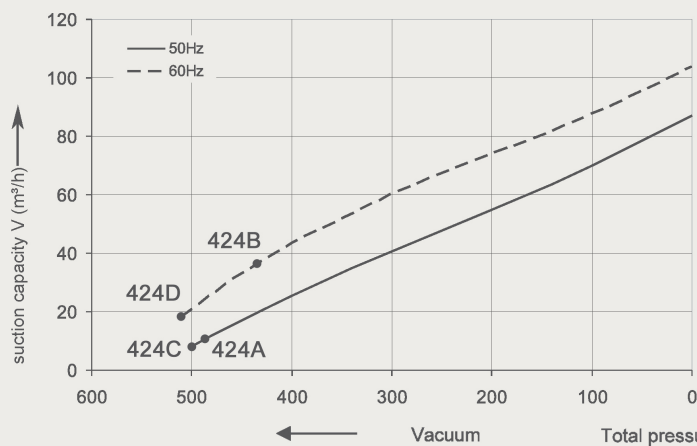




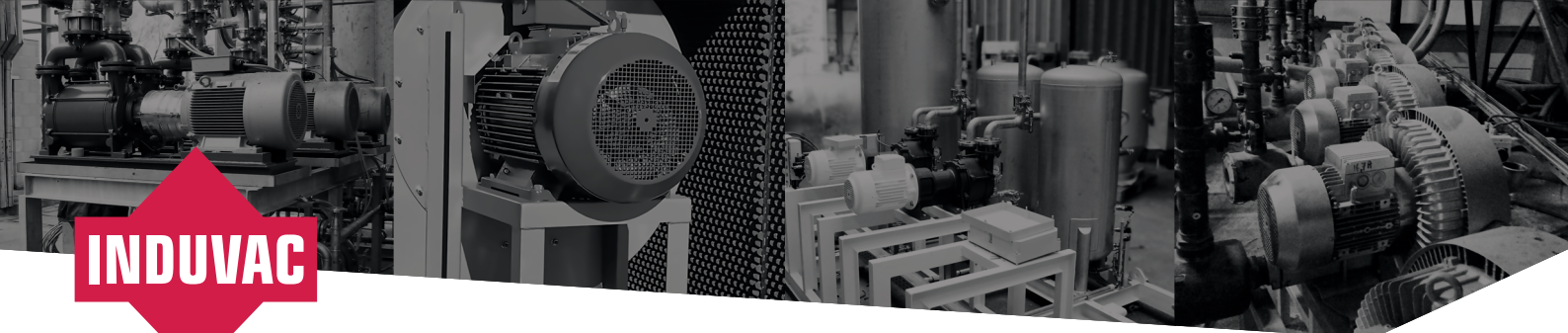
## Technical data

Type No.	Curve No.	Freq. Hz	Power kW	Voltage		Current		Capacity m <sup>3</sup> /hr.	Pressure difference		Sound level dB(A)	Connec- tion "G	Weight kg
				V		A			Vacuum mbar	Pressure mbar			
VC 315-424	424A	50	1,50	200-260 Δ	350-450 Y	5,30 Δ	3,05 Y	87	-480	450	61	1,25	33
	424B	60	1,75	230-290 Δ	400-500 Y	5,10 Δ	2,95 Y	105	-430	410	66	1,25	33
VC 333-424	424C	50	3,30	230-290 Δ	400-500 Y	13,00 Δ	7,50 Y	87	-500	750	61	1,25	39
	424D	60	3,80	230-290 Δ	400-500 Y	13,80 Δ	8,00 Y	105	-510	850	66	1,25	39

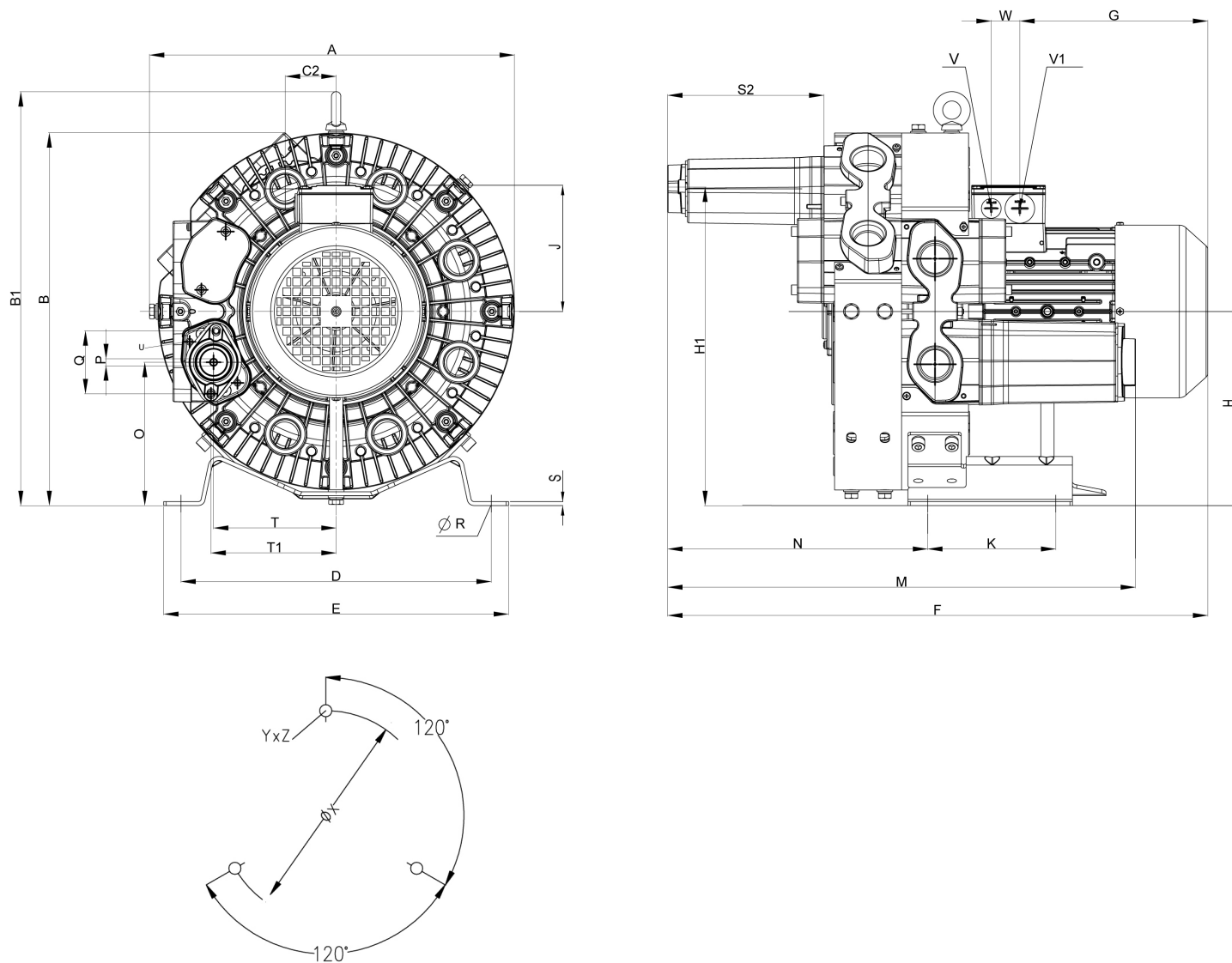
## Curves



Curves are valid for dry air, with a temperature of 15°C at the inlet and a pressure of 1013 m bar(a) at the inlet or outlet connection (for over- or under-pressure application respectively). The tolerance on capacity is +/- 10%. No rights can be derived from the sketches, dimensions and contents of this data sheet. The data is for information purposes only. Induvac reserves the right to change or modify the data. No complaints can be made about this.



# Dimensions



Curve No.	Type	A	B	B1	C2	D	E	F	G	H	H1	J	K	M
424 A/B	VC 315-424	363	377	414	52	315	350	529	180	195	319	128	130	436
424 C/D	VC 333-424	363	377	414	52	315	350	554	211	195	319	128	130	436
Curve No.	Type	N	O	P	Q	R	S	S2	T	T1	U	V	V1	W
424 A/B	VC 315-424	243	143	G1 1/4"	64	14	4	140	105	107	M6 x 17	M25 x 1,5	M16 x 1,5	32
424 C/D	VC 333-424	243	143	G1 1/4"	64	14	4	140	105	107	M6 x 17	M25 x 1,5	M16 x 1,5	32