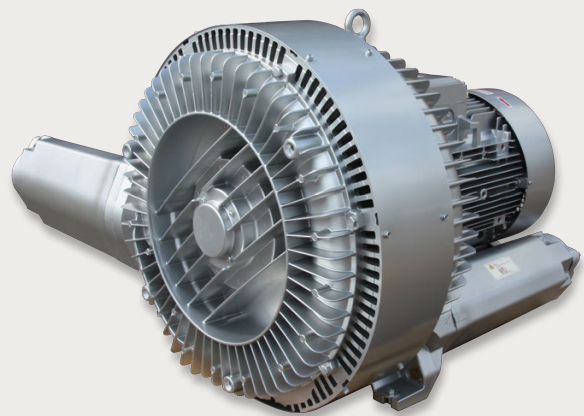




Side channel blower 920 series

The standard VACOM® design, with housing an impeller made of aluminum alloy, is a direct drive configuration, with a dynamically balanced impeller, fitted directly on the motor shaft. The impeller rotates inside of the stator housing with a very small clearance. The absence of lubricants guarantees a 100% oil free vacuum or compression. Construction features of the VACOM® side channel blower are the very reliable operation and low maintenance. VACOM® blowers are directly driven, impellers fixed directly on the drive shaft. Impeller bearing is installed in the front cover and easily to assemble and disassemble. Machines are small and lightweight. VACOM® blowers are already available with differential pressures up to 700 mbar and capacities of 2000 m³/ hr.



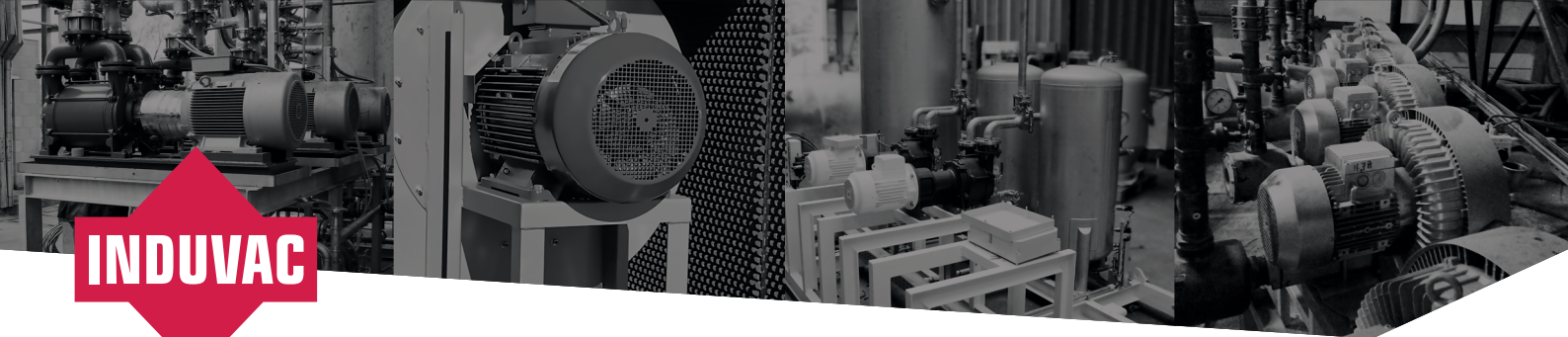
Features

- ♦ Available from stock
- ♦ Almost free of maintenance
- ♦ Low power consumption
- ♦ Oil free compression, no oil in the medium
- ♦ Made of aluminum, so low weight and high corrosion resistance.

Accessories

- ♦ Suction filter TGF (for vacuum)
- ♦ Suction filter VCFT (for compression)
- ♦ Pressure relief valve DB
- ♦ External silencer EGD
- ♦ Fittings
- ♦ Various: change valve, pressure gauge, non return valve

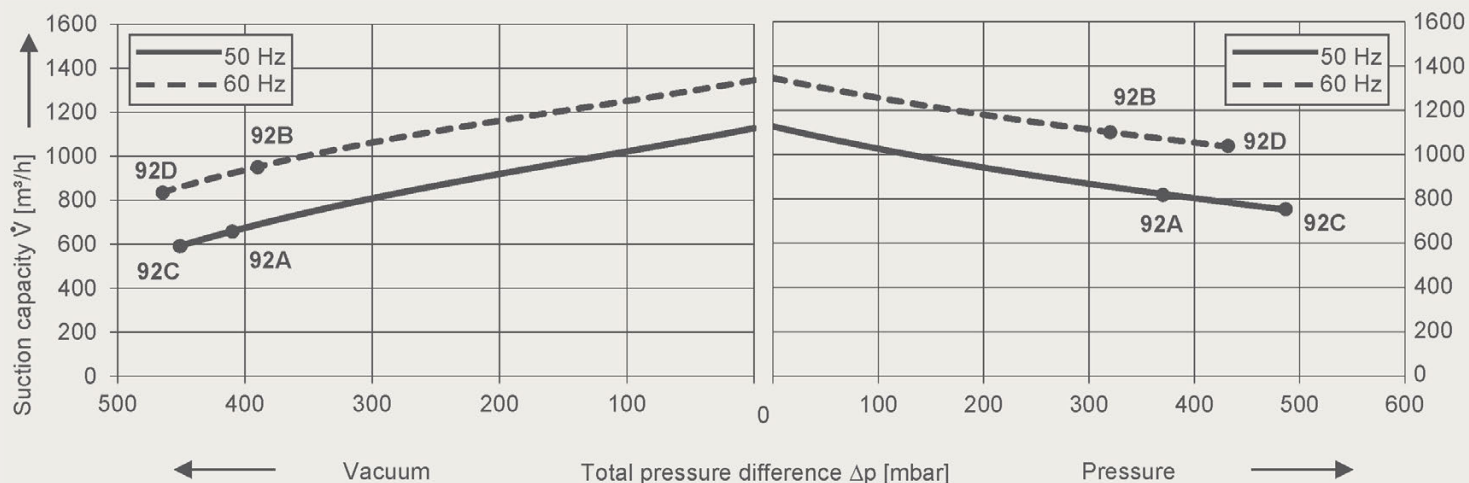




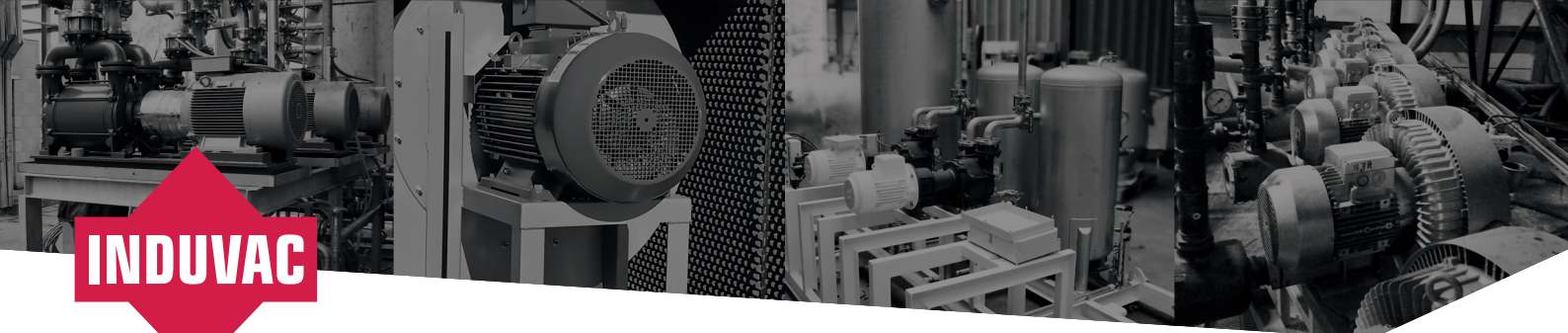
Technical data

Type No.	Curve No.	Freq. Hz	Power kW	Voltage		Current		Capacity m ³ /hr	Pressure difference		Sound level dB(A)	Connec- tion "G	Weight kg
				V		A			Vacuum mbar	Pressure mbar			
VC 315-920	92A	50	17,30	380-420 Δ	660-725 Y	31,30 Δ	18,30 Y	1110	-410	370	74	4	195
	92B	60	19,90	460-520 Δ	790-870 Y	31,40 Δ	18,10 Y	1310	-390	320	84	4	195
		50	15,00 IE3	400 Δ	690 Y	26,50 Δ	15,30 Y						
		60	17,30 IE3	480 Δ	Y	26,00 Δ							
VC 318-920	92C	50	21,30	380-420 Δ	660-725 Y	38,30 Δ	22,10 Y	1110	-440	490	74	4	208
	92D	60	24,50	460-520 Δ	790-870 Y	38,00 Δ	22,00 Y	1310	-460	430	84	4	208
		50	18,50 IE3	400 Δ	690 Y	32,50 Δ	18,80 Y						
		60	21,30 IE3	480 Δ	Y	32,40 Δ							

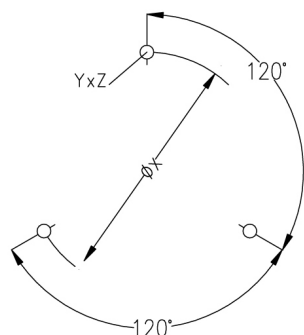
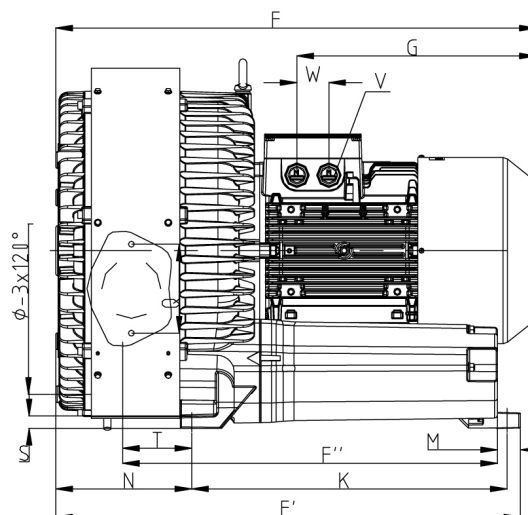
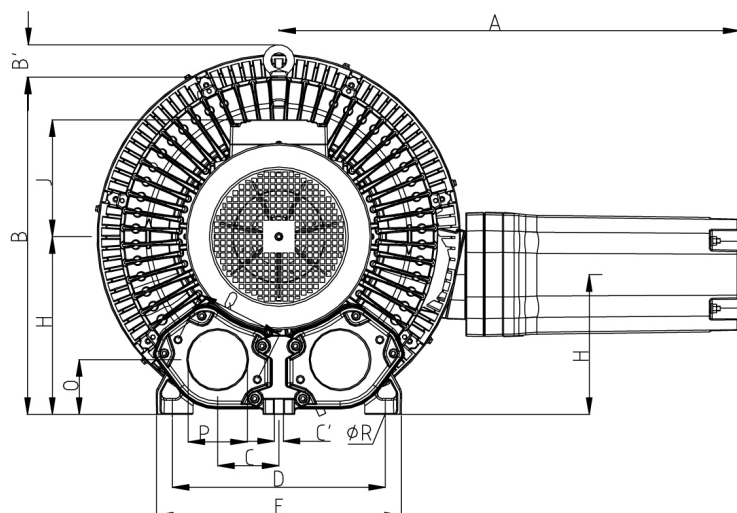
Curves



Curves are valid for dry air, with a temperature of 15°C at the inlet and a pressure of 1013 m bar(a) at the inlet or outlet connection (for over- or under-pressure application respectively). The tolerance on capacity is +/- 10%. No rights can be derived from the sketches, dimensions and contents of this data sheet. The data is for information purposes only. Induvac reserves the right to change or modify the data. No complaints can be made about this.



Dimensions



Curve No.	Type	A	A'	B	B1	C	C'	D	E	F	F'	F''	G	H	H'	J
92A / 92B	VC 315-920	615	780	607	16	103,5	15	360	415	752	786	634	345	300	234	197
92C / 92D	VC 318-920	615	780	607	16	103,5	15	360	415	752	786	634	345	300	234	197
Curve No.	Type	K	M	N	O	ØP	Q	ØR	S	T	U	V	W	ØX	YxZ	X-Holes
92A / 92B	VC 315-920	533	39	230	92	100	150	15	21	117	M12 X 30	4 x M40 x 1.5	54	490	M12 x 30	51,4°/120°/240°
92C / 92D	VC 318-920	533	39	230	92	100	150	15	21	117	M12 X 30	4 x M40 x 1.5	54	490	M12 x 30	51,4°/120°/240°