



Side channel blower 943 series

The standard VACOM® design, with housing an impeller made of aluminum alloy, is a direct drive configuration, with a dynamically balanced impeller, fitted directly on the motor shaft. The impeller rotates inside of the stator housing with a very small clearance. The absence of lubricants guarantees a 100% oil free vacuum or compression. Construction features of the VACOM® side channel blower are the very reliable operation and low maintenance. VACOM® blowers are directly driven, impellers fixed directly on the drive shaft. Impeller bearing is installed in the front cover and easily to assemble and disassemble. Machines are small and lightweight. VACOM® blowers are already available with differential pressures up to 700 mbar and capacities of 2000 m³/ hr.



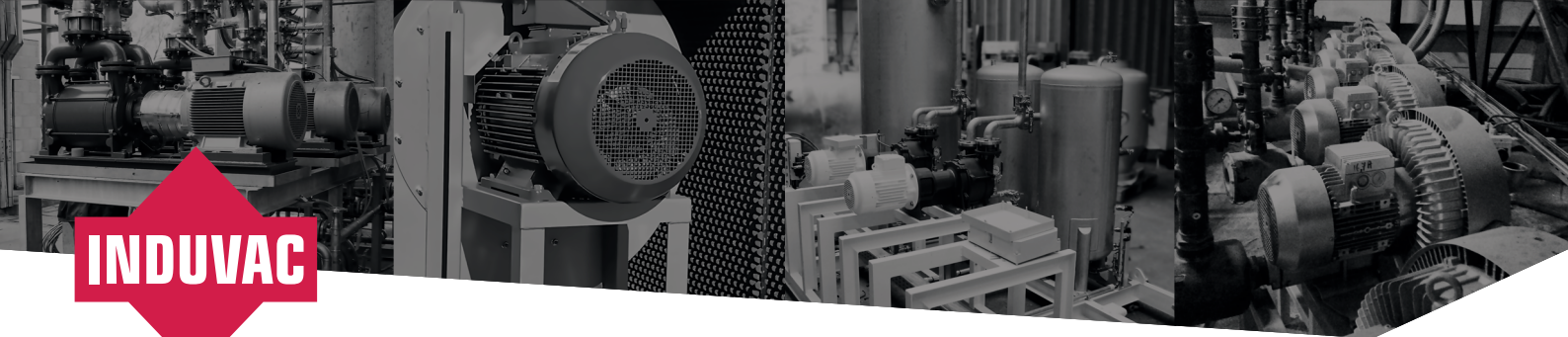
Features

- ◆ Available from stock
- ◆ Almost free of maintenance
- ◆ Low power consumption
- ◆ Oil free compression, no oil in the medium
- ◆ Made of aluminum, so low weight and high corrosion resistance.

Accessories

- ◆ Suction filter TGF (for vacuum)
- ◆ Suction filter VCFT (for compression)
- ◆ Pressure relief valve DB
- ◆ External silencer EGD
- ◆ Fittings
- ◆ Various: change valve, pressure gauge, non return valve

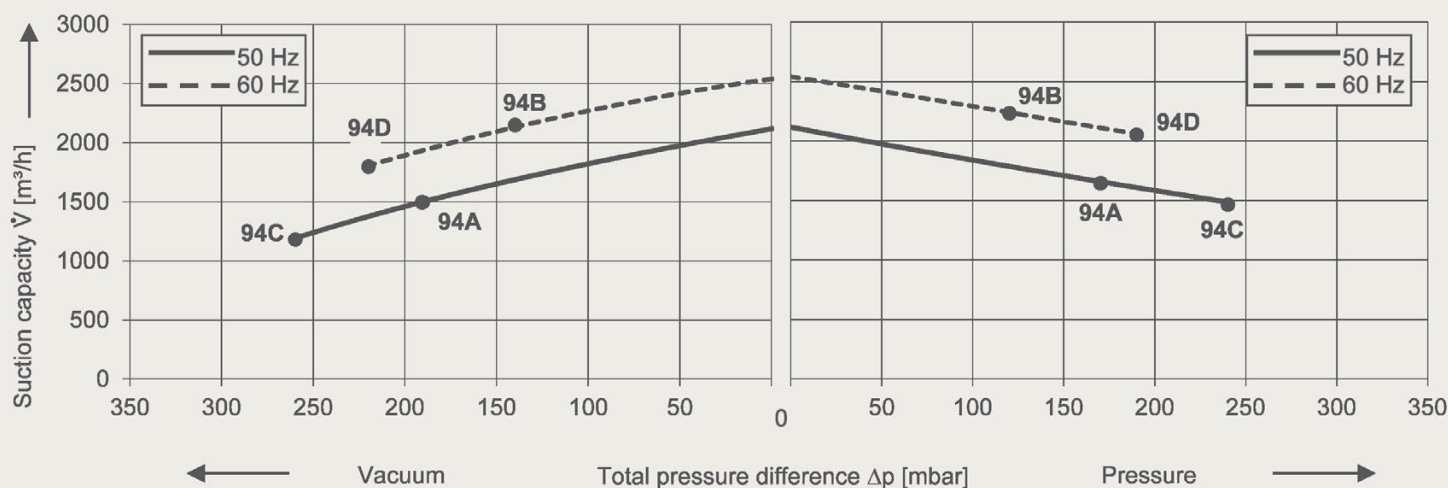




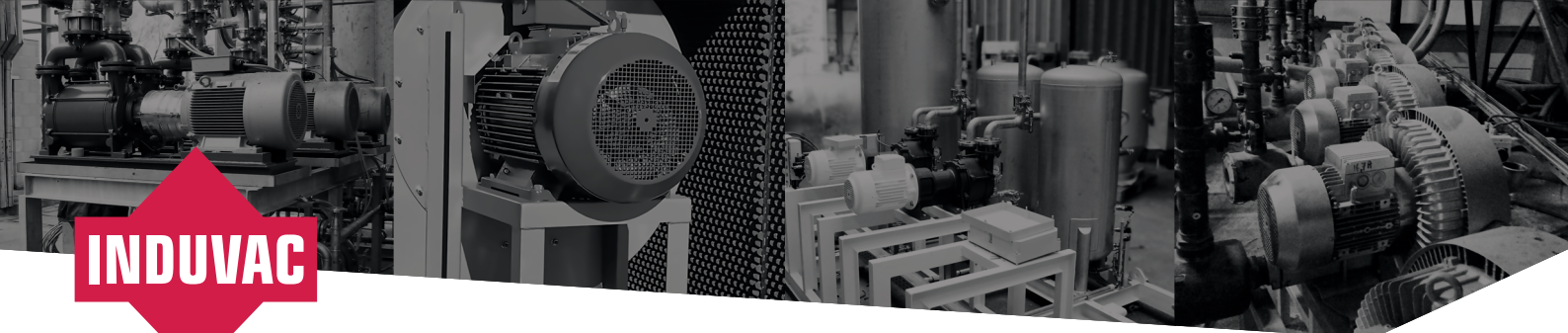
Technical data

Type No.	Curve No.	Freq. Hz	Power kW	Voltage		Current		Capacity m ³ /hr.	Pressure difference		Sound level dB(A)	Connec- tion "G	Weight kg
				V		A			Vacuum mbar	Pressure mbar			
VC 315-943	94A	50	17,30	380-420 Δ	660-725 Y	31,30 Δ	18,30 Y	2050	-190	170	75	5	250
	94B	60	19,90	460-520 Δ	790-870 Y	31,40 Δ	18,10 Y	2480	-140	120	84	5	250
		50	15,00 IE3	400 Δ	690 Y	26,50 Δ	15,30 Y						
		60	17,30 IE3	480 Δ		Y	26,00 Δ						
VC 318-943	94C	50	21,30	380-420 Δ	660-725 Y	38,30 Δ	22,10 Y	2050	-260	240	75	5	260
	94D	60	24,50	460-520 Δ	790-870 Y	38,00 Δ	22,00 Y	2480	-220	190	84	5	260
		50	18,50 IE3	400 Δ	690 Y	32,50 Δ	18,80 Y						
		60	21,30 IE3	480 Δ			32,40 Δ						

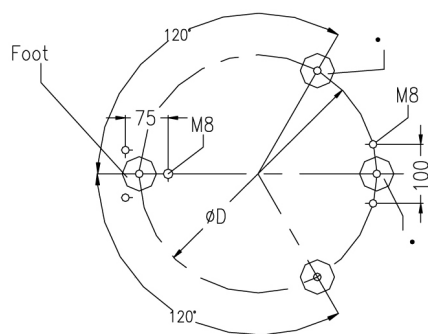
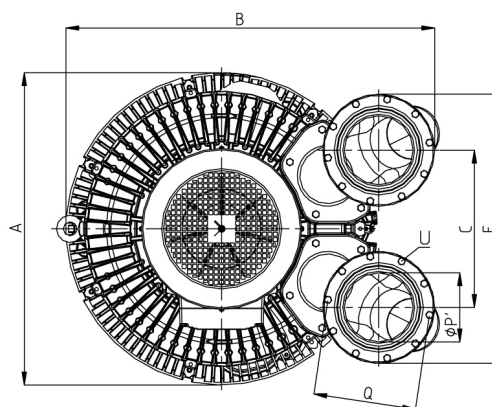
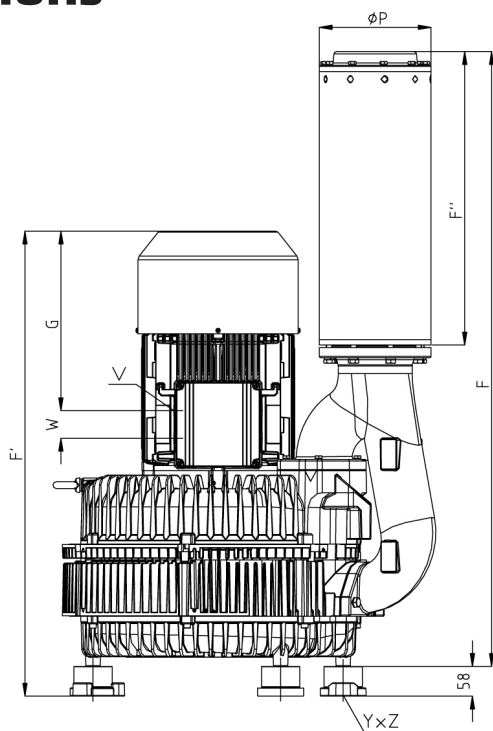
Curves



Curves are valid for dry air, with a temperature of 15°C at the inlet and a pressure of 1013 m bar(a) at the inlet or outlet connection (for over- or under-pressure application respectively). The tolerance on capacity is +/- 10%. No rights can be derived from the sketches, dimensions and contents of this data sheet. The data is for information purposes only. Induvac reserves the right to change or modify the data. No complaints can be made about this.



Dimensions



Type	Curve No.	A	B	C	D	E	F	F'	F''	G
VC 315-943	94A / 94B	615	723	307	490	526	1201	848	578	291
VC 320-943	94C / 94D	615	723	307	490	526	1201	848	578	291
Type	Curve No.	P	ØP	Q	S	U	V	W	YxZ	
VC 315-943	94A / 94B	219	5" G	201	58	M8x40	4xM40x1.5	6		
VC 320-943	94C / 94D	219	5" G	201	58	M8x40	4xM40x1.5	6	4xM32x1.5	